

You could use a new
hide-and-seek spot.

Barrister Home Wardrobe

Barrister Home Collection | Model 5418891

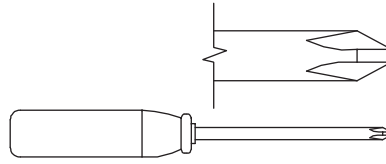
NOTE: THIS INSTRUCTION
BOOKLET CONTAINS **IMPORTANT**
SAFETY INFORMATION.

PLEASE READ AND KEEP FOR
FUTURE REFERENCE.

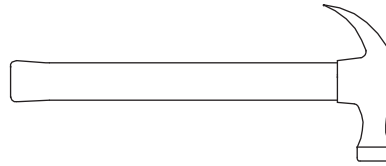
Table of Contents

Assembly Tools Required

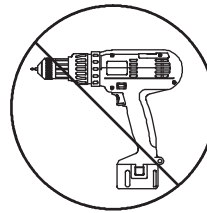
Part Identification	2-3
Hardware Identification	4-5
Assembly Steps	6-28



No. 2 Phillips Screwdriver
Tip Shown Actual Size



Hammer
Not actual size 😊



Skip the power trip.
This time.

Part Identification

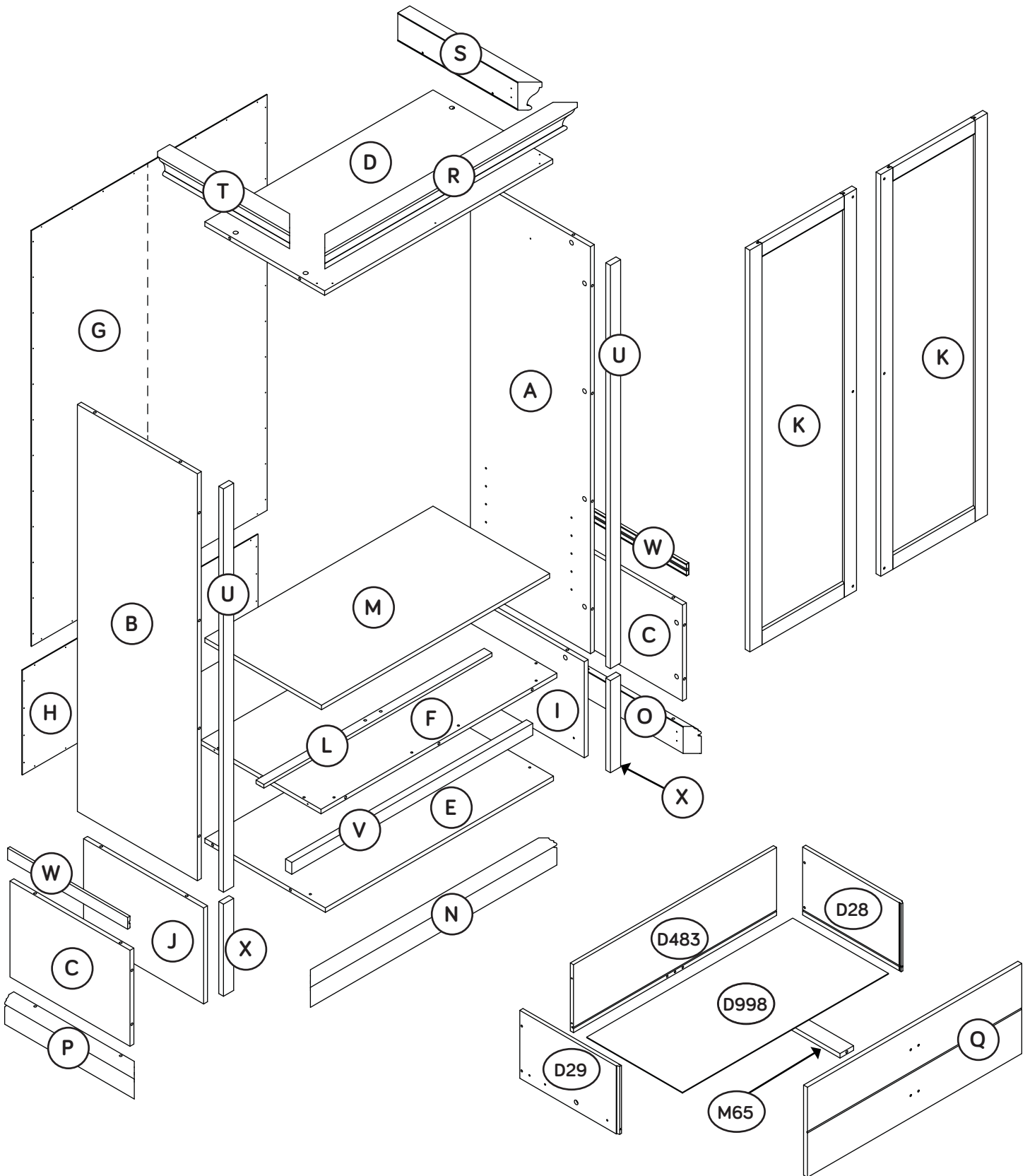
Now you know
our ABCs.



⚠ While not all parts are labeled, some of the parts will have a label or an inked letter on the edge to help distinguish similar parts from each other. Use this part identification to help identify similar parts.

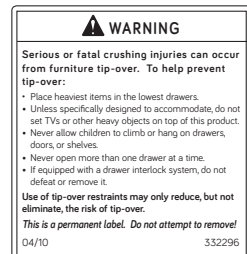
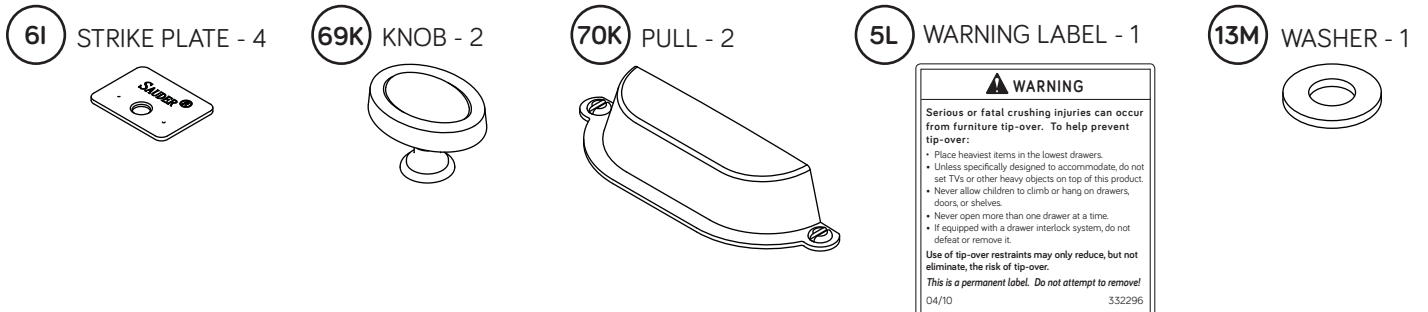
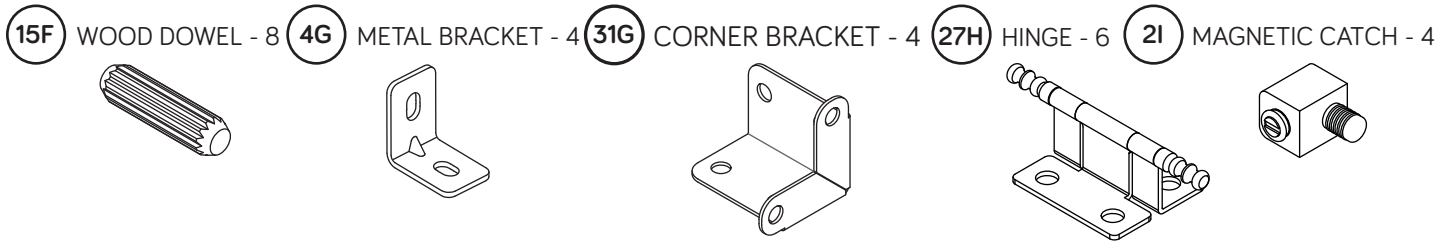
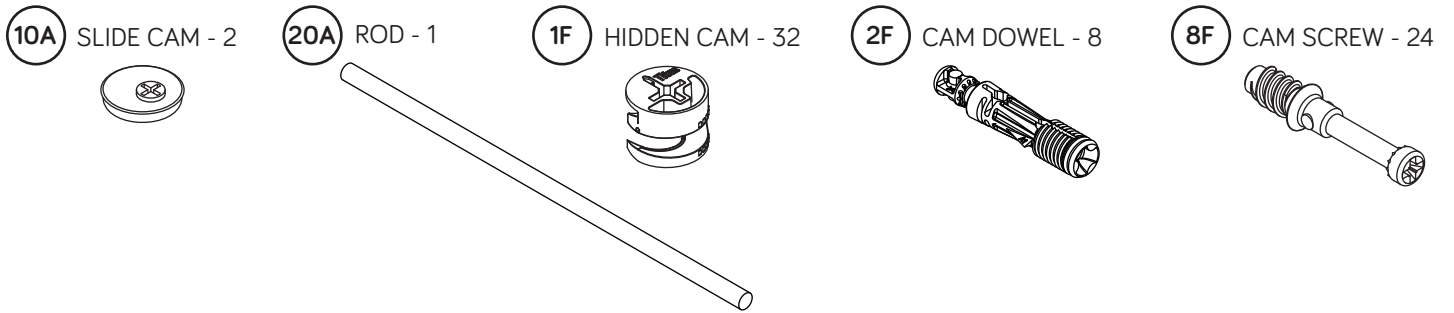
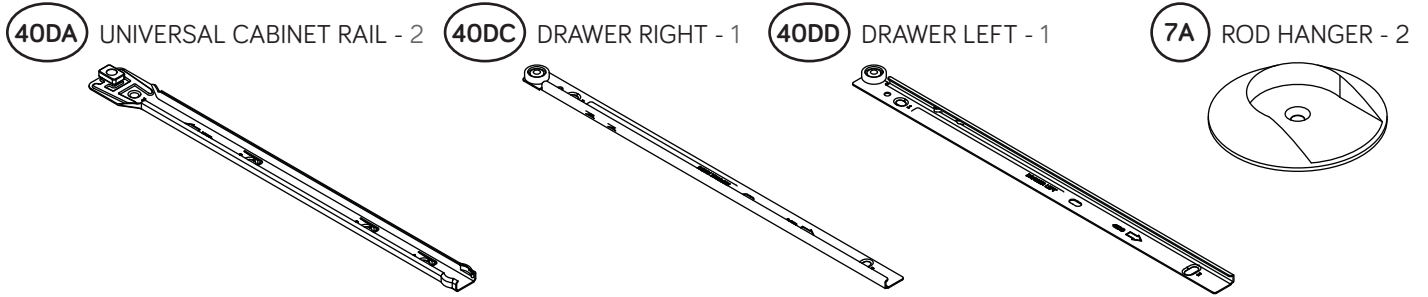
A	RIGHT END (1)	K	DOOR (2)	U	END MOLDING (2)
B	LEFT END (1)	L	BRACE (1)	V	SHELF MOLDING (1)
C	LOWER END (2)	M	ADJUSTABLE SHELF (1)	W	SIDE MOLDING (2)
D	TOP (1)	N	BASE (1)	X	LOWER END MOLDING (2)
E	BOTTOM (1)	O	RIGHT BASE (1)	D28	DRAWER RIGHT SIDE (1)
F	SHELF (1)	P	LEFT BASE (1)	D29	DRAWER LEFT SIDE (1)
G	LARGE BACK (1)	Q	DRAWER FRONT (1)	D483	DRAWER BACK (1)
H	BACK (1)	R	FRONT MOLDING (1)	D998	DRAWER BOTTOM (1)
I	LOWER RIGHT SUPPORT (1)	S	RIGHT MOLDING (1)	M65	DRAWER BRACE (1)
J	LOWER LEFT SUPPORT (1)	T	LEFT MOLDING (1)		

Part Identification

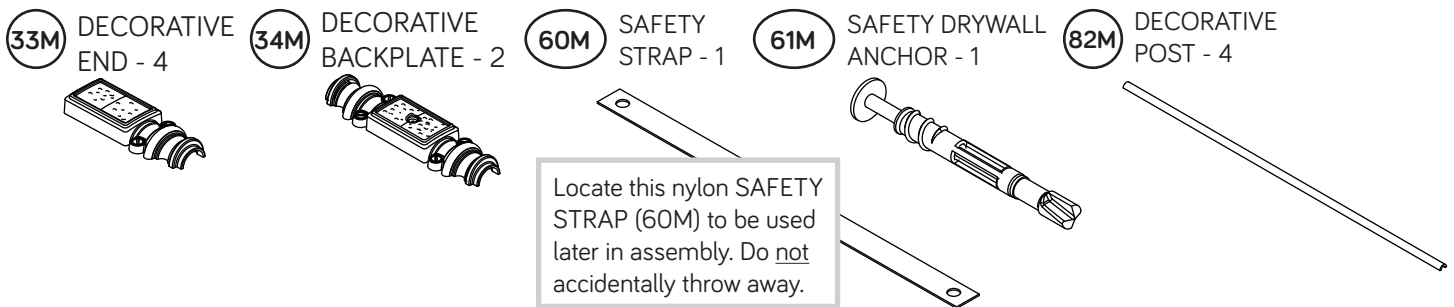


Hardware Identification

† Screws are shown actual size. You may receive extra hardware with your unit.



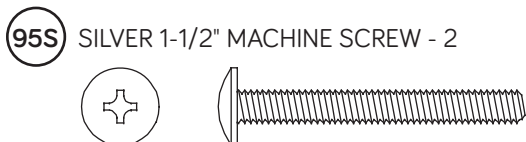
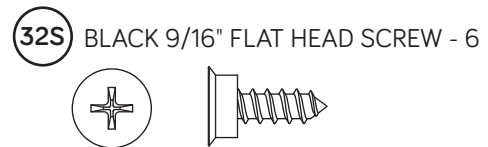
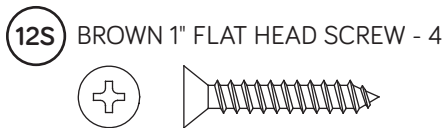
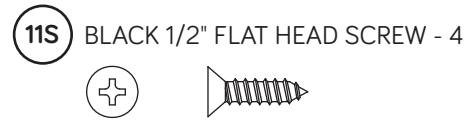
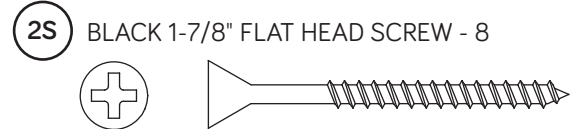
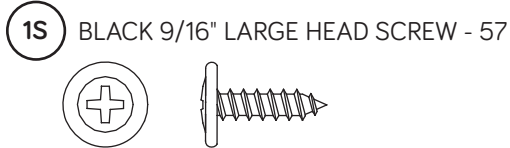
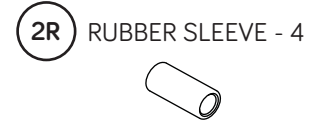
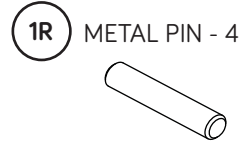
(Refer to Step 21 for proper location and application)



Locate this nylon SAFETY STRAP (60M) to be used later in assembly. Do not accidentally throw away.

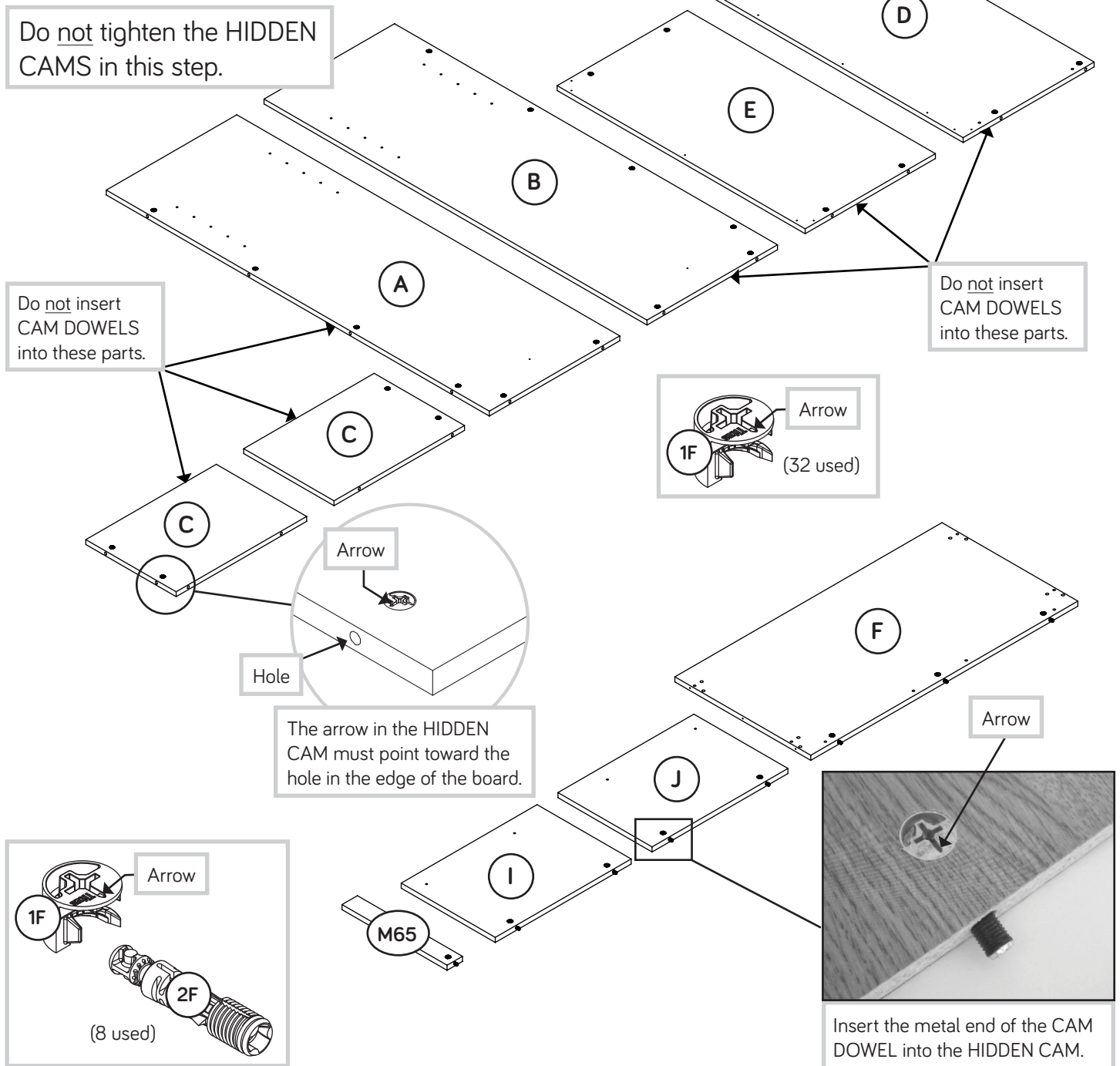
Hardware Identification

† Screws are shown actual size. You may receive extra hardware with your unit.



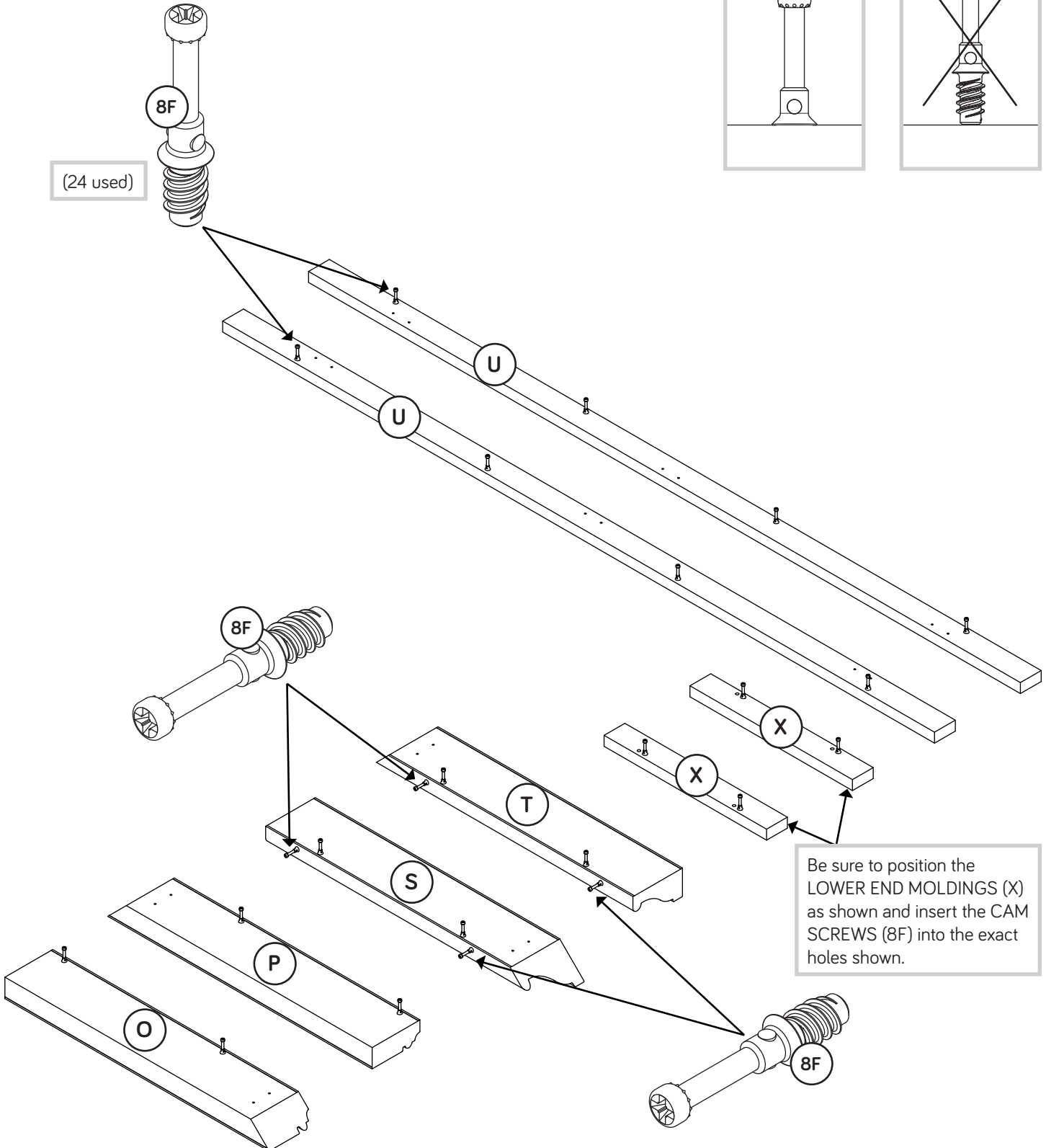
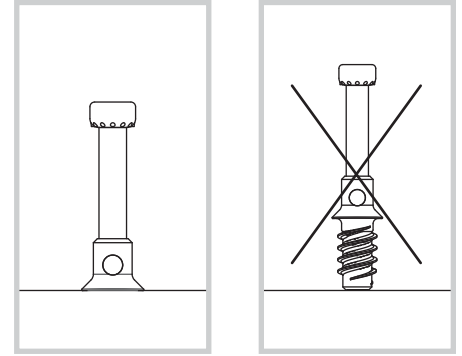
Step 1

- ✚ Assemble your unit on a carpeted floor or on the empty carton to avoid scratching your unit or the floor.
- ✚ Push thirty-two HIDDEN CAMS (1F) into the ENDS (A, B, and C), TOP (D), BOTTOM (E), SHELF (F), LOWER SUPPORTS (I and J), and DRAWER BRACE (M65). Then, insert the metal end of a CAM DOWEL (2F) into each HIDDEN CAM except for the ENDS, TOP, and BOTTOM.



Step 2

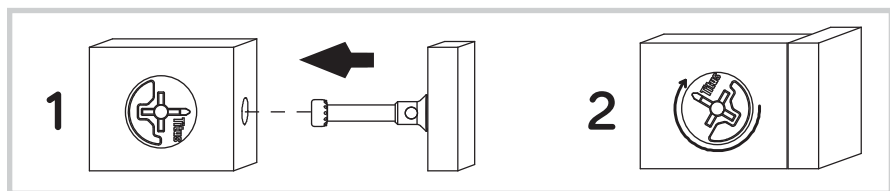
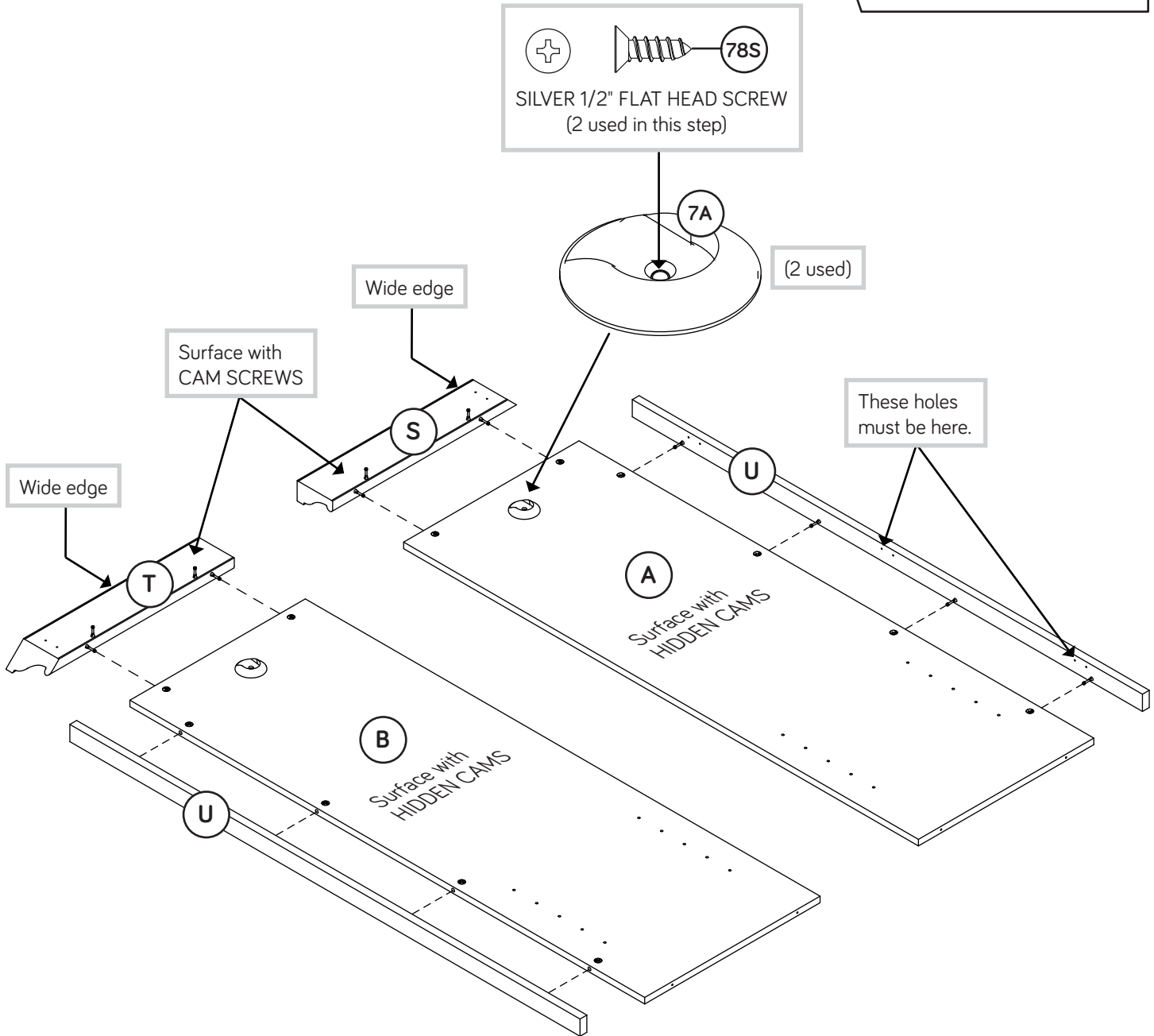
Turn twenty-four CAM SCREWS (8F) into the BASES (O and P), MOLDINGS (S and T), and END MOLDINGS (U and X).



Step 3

- Fasten the MOLDINGS (S and T) and END MOLDINGS (U) to the ENDS (A and B). Tighten twelve HIDDEN CAMS.
- Fasten the ROD HANGERS (7A) to the ENDS (A and B). Use two SILVER 1/2" FLAT HEAD SCREWS (78S).

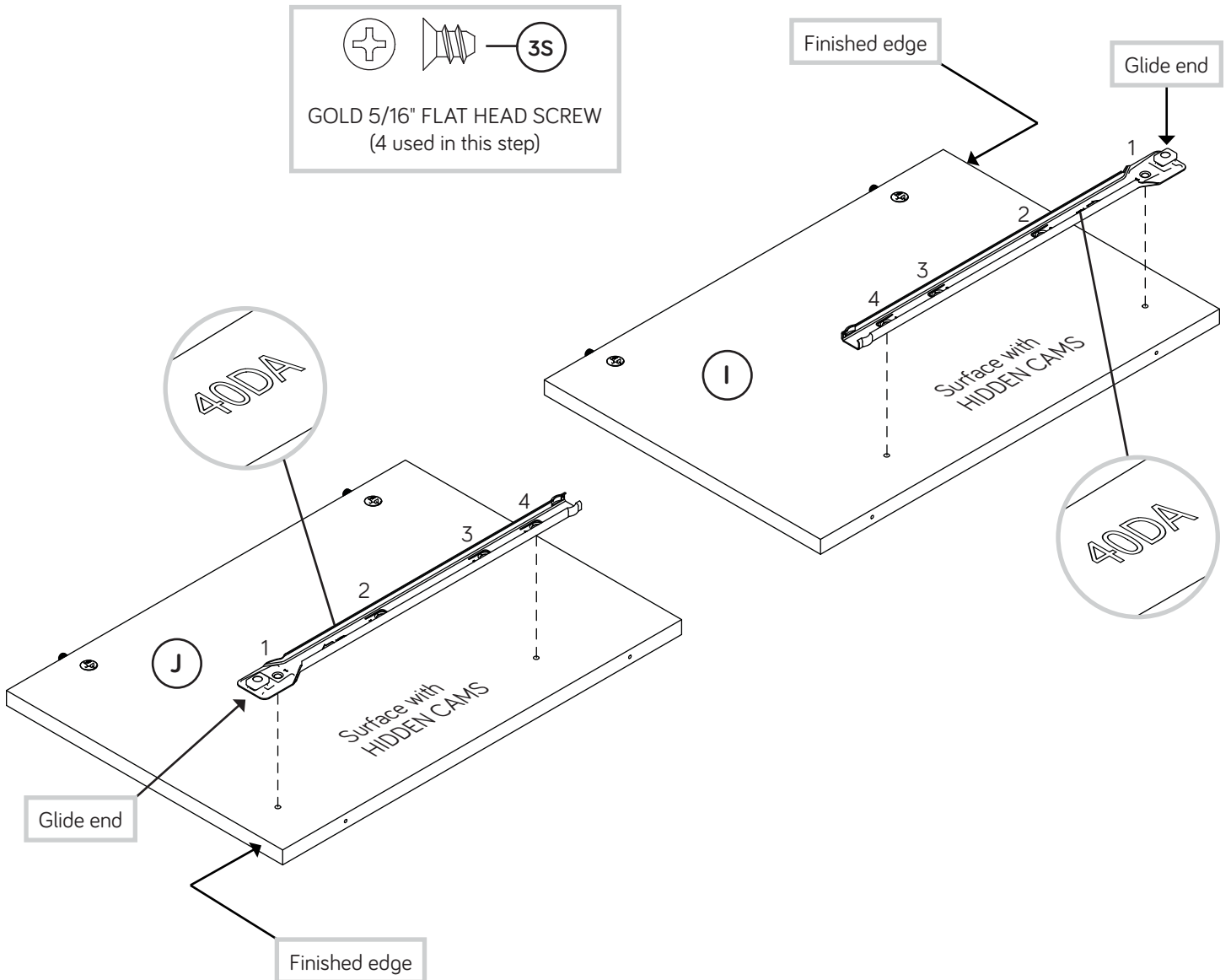
 Remember:
Righty tighty.
Lefty loosey.



Step 4

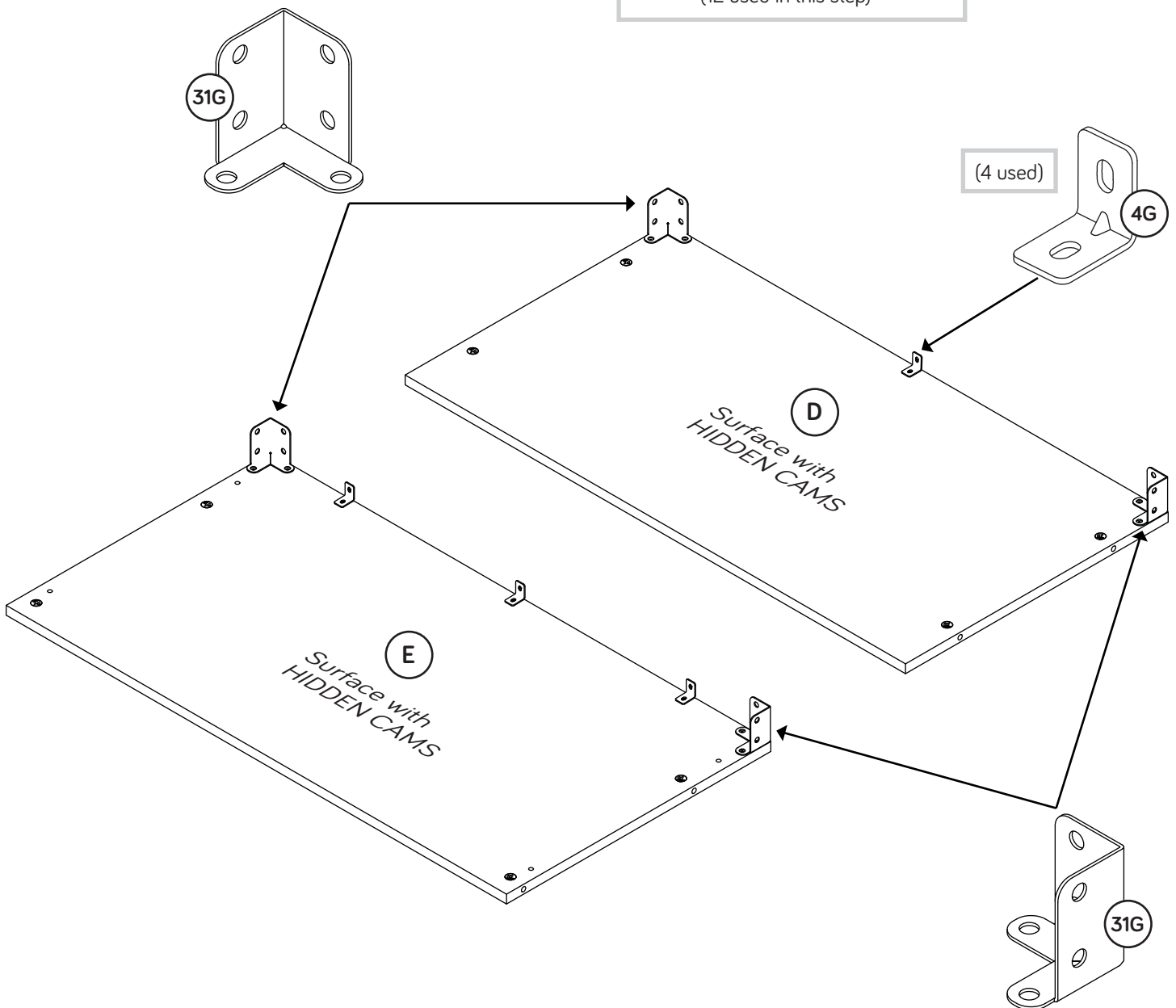
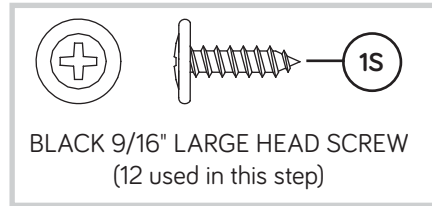
Fasten the UNIVERSAL CABINET RAILS* (40DA) to the LOWER SUPPORTS (I and J). Use four GOLD 5/16" FLAT HEAD SCREWS (3S) through holes #1 and #4.

*patent pending glide system



Step 5

- Fasten the METAL BRACKETS (4G) and CORNER BRACKETS (31G) to the TOP (D) and BOTTOM (E). Use twelve BLACK 9/16" LARGE HEAD SCREWS (1S).

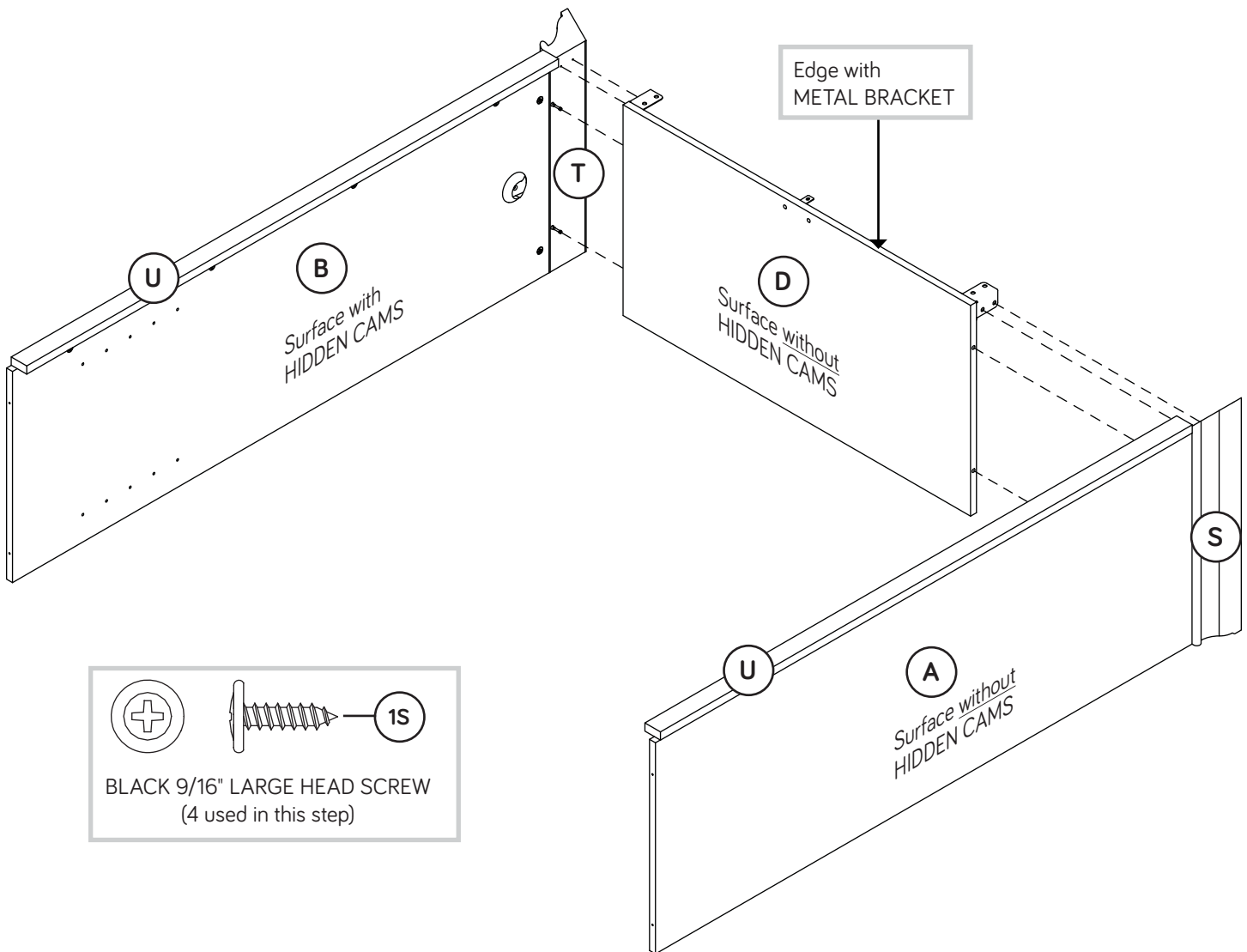


Step 6

- Fasten the TOP (D) to the MOLDINGS (S and T) on the ENDS (A and B). Tighten four HIDDEN CAMS.
- Fasten the TOP (D) to the MOLDINGS (S and T). Use four BLACK 9/16" LARGE HEAD SCREWS (1S) through the CORNER BRACKETS on the TOP and into the MOLDINGS.

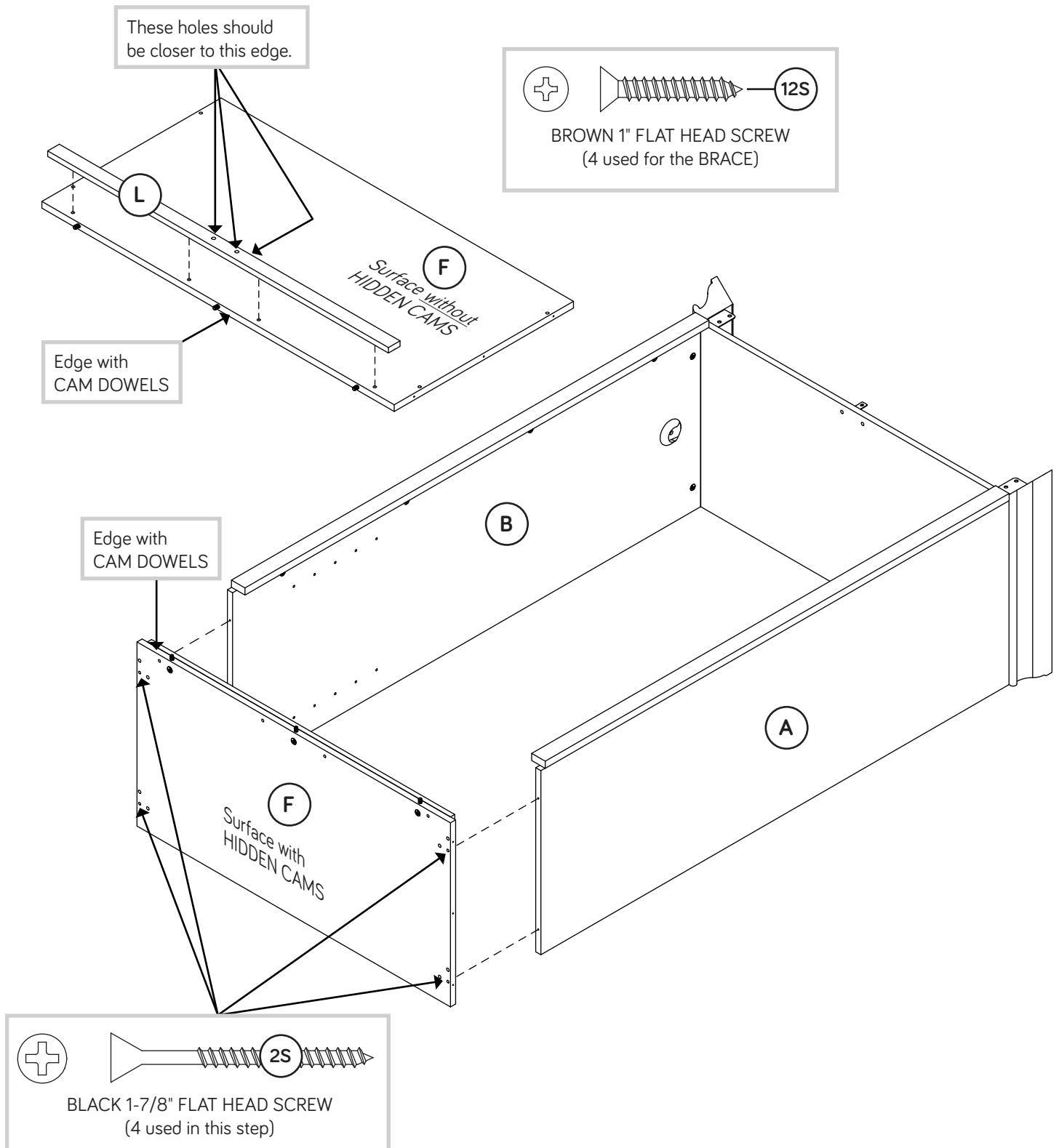
Caution

Do not stand the unit upright without the BACK fastened. The unit may collapse.



Step 7

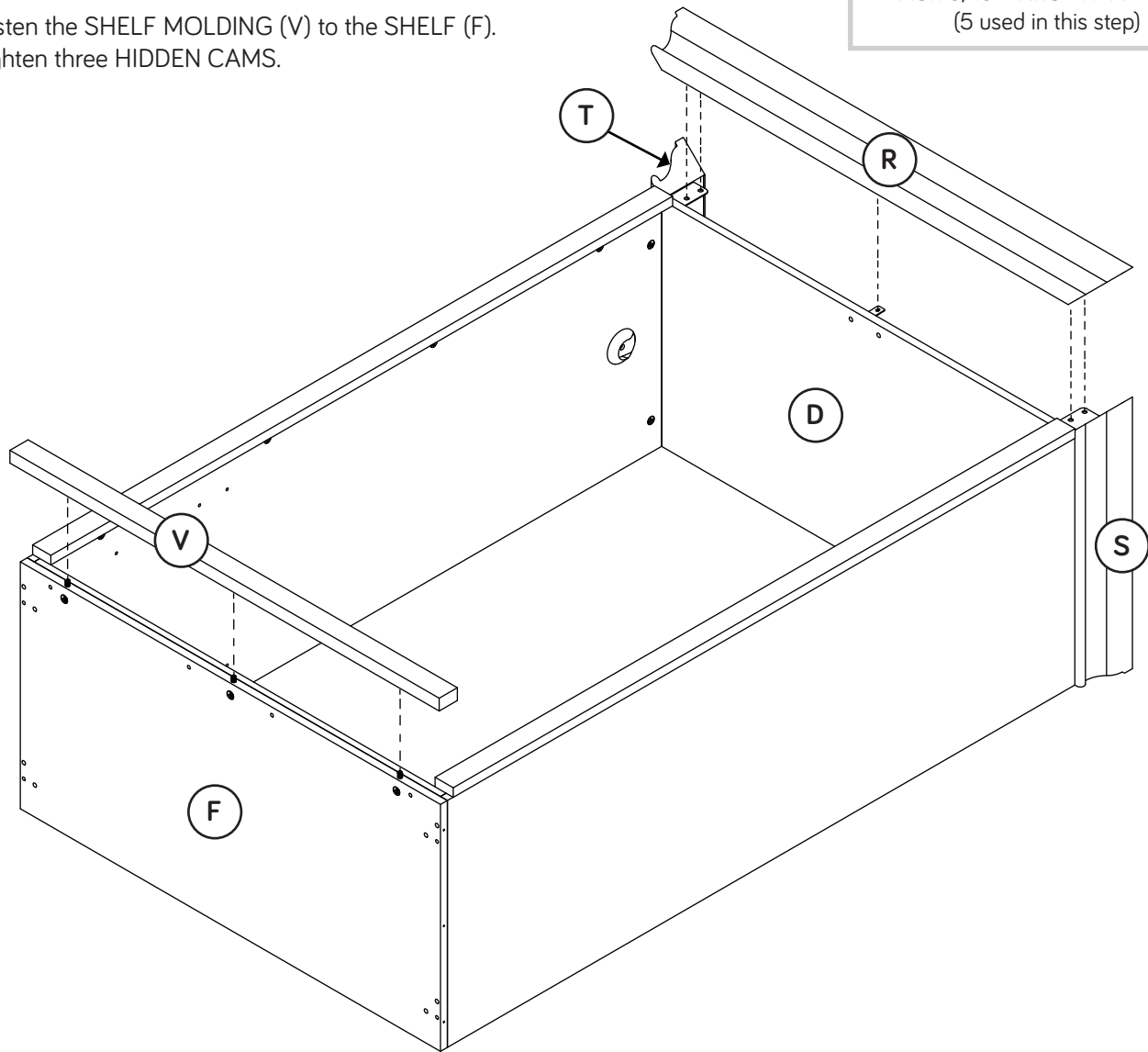
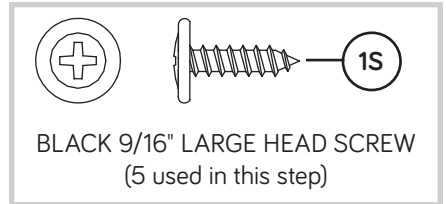
- Fasten the BRACE (L) to the SHELF (F). Use four BROWN 1" FLAT HEAD SCREWS (12S).
- Fasten the SHELF (F) to the ENDS (A and B). Use four BLACK 1-7/8" FLAT HEAD SCREWS (2S).



Step 8

Fasten the FRONT MOLDING (R) to the TOP (D) and MOLDINGS (S and T). Use five BLACK 9/16" LARGE HEAD SCREWS (1S) through the BRACKETS on the TOP and MOLDINGS and into the FRONT MOLDING.

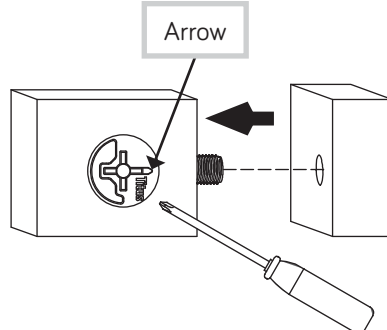
Fasten the SHELF MOLDING (V) to the SHELF (F). Tighten three HIDDEN CAMS.



⚠ Caution

Risk of damage or injury. HIDDEN CAMS must be completely tightened. HIDDEN CAMS that are not completely tightened may loosen, and parts may separate. To completely tighten:

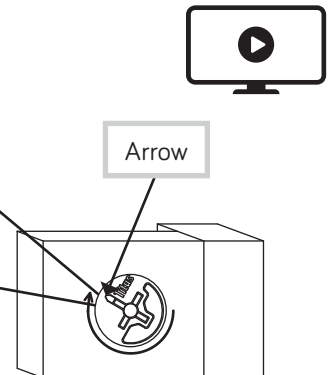
Start



Tighten

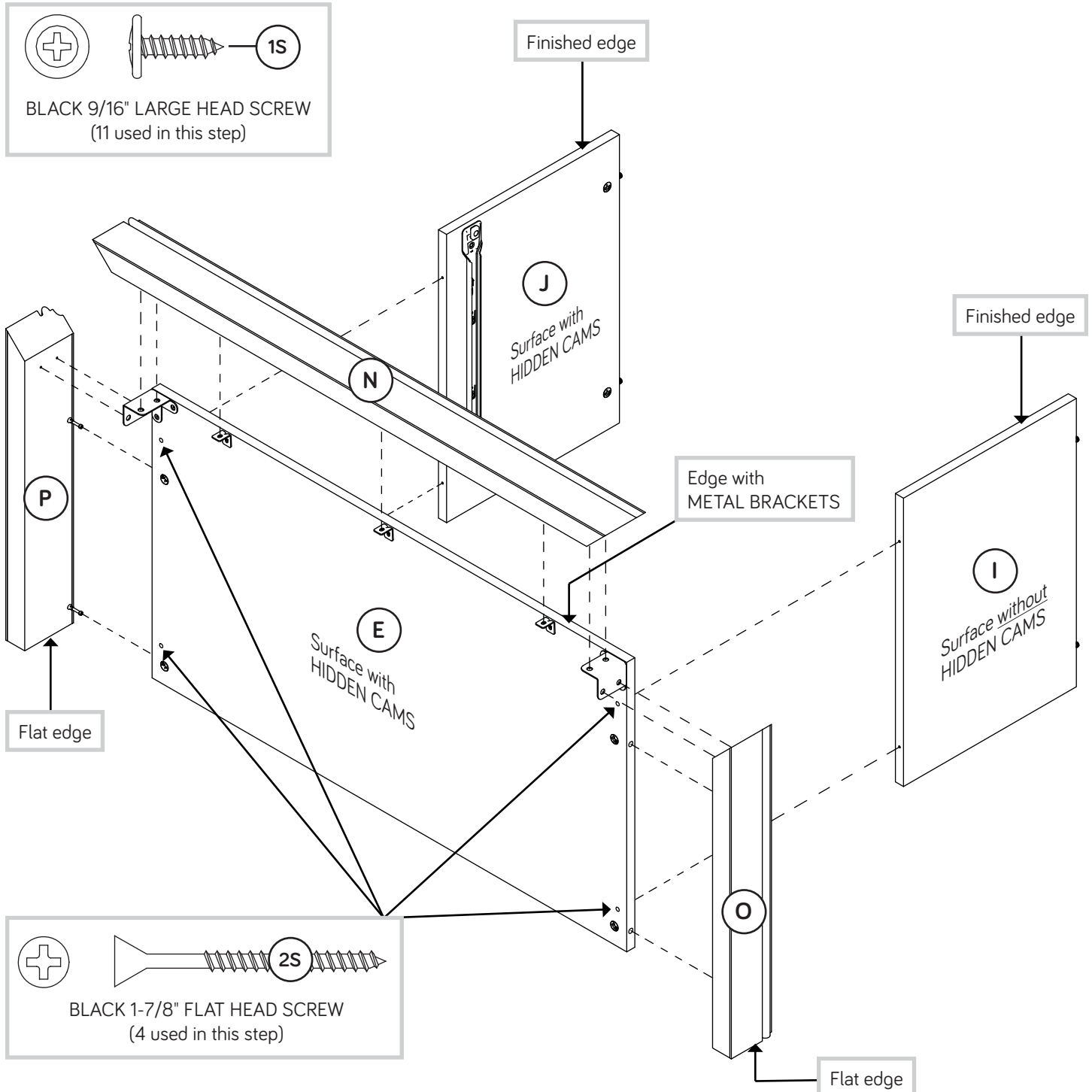
Maximum 210 degrees

Minimum 190 degrees



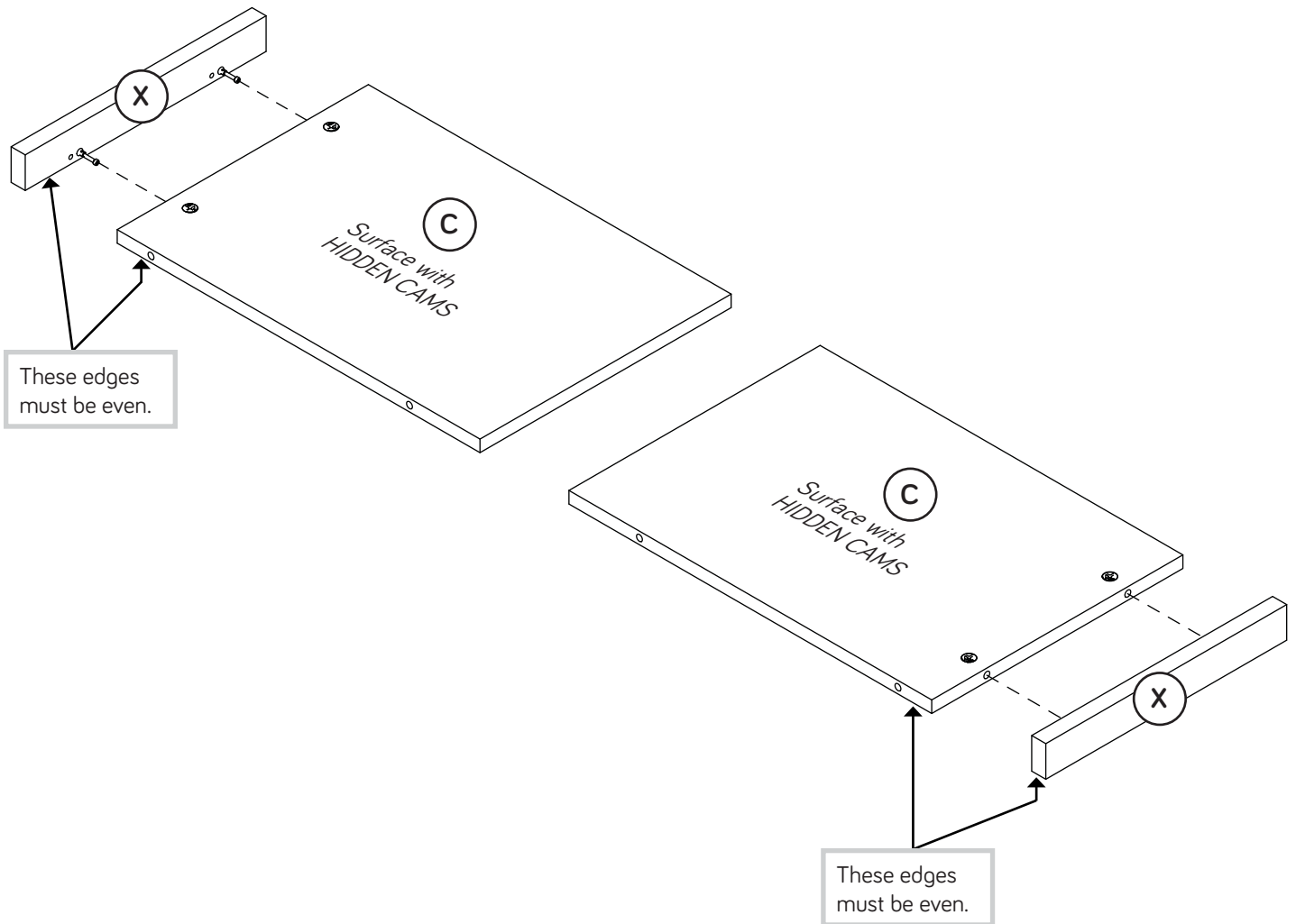
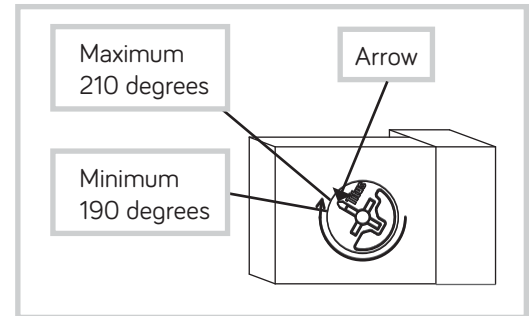
Step 9

- Fasten the BOTTOM (E) to the LOWER SUPPORTS (I and J). Use four BLACK 1-7/8" FLAT HEAD SCREWS (2S).
- Fasten the SIDE BASES (O and P) to the BOTTOM (E). Tighten four HIDDEN CAMS and use four BLACK 9/16" LARGE HEAD SCREWS (1S) through the BRACKETS on the BOTTOM and into the SIDE BASES.
- Fasten the BASE (N) to the BOTTOM (E). Use seven BLACK 9/16" LARGE HEAD SCREWS (1S) through the BRACKETS on the BOTTOM and into the BASE.



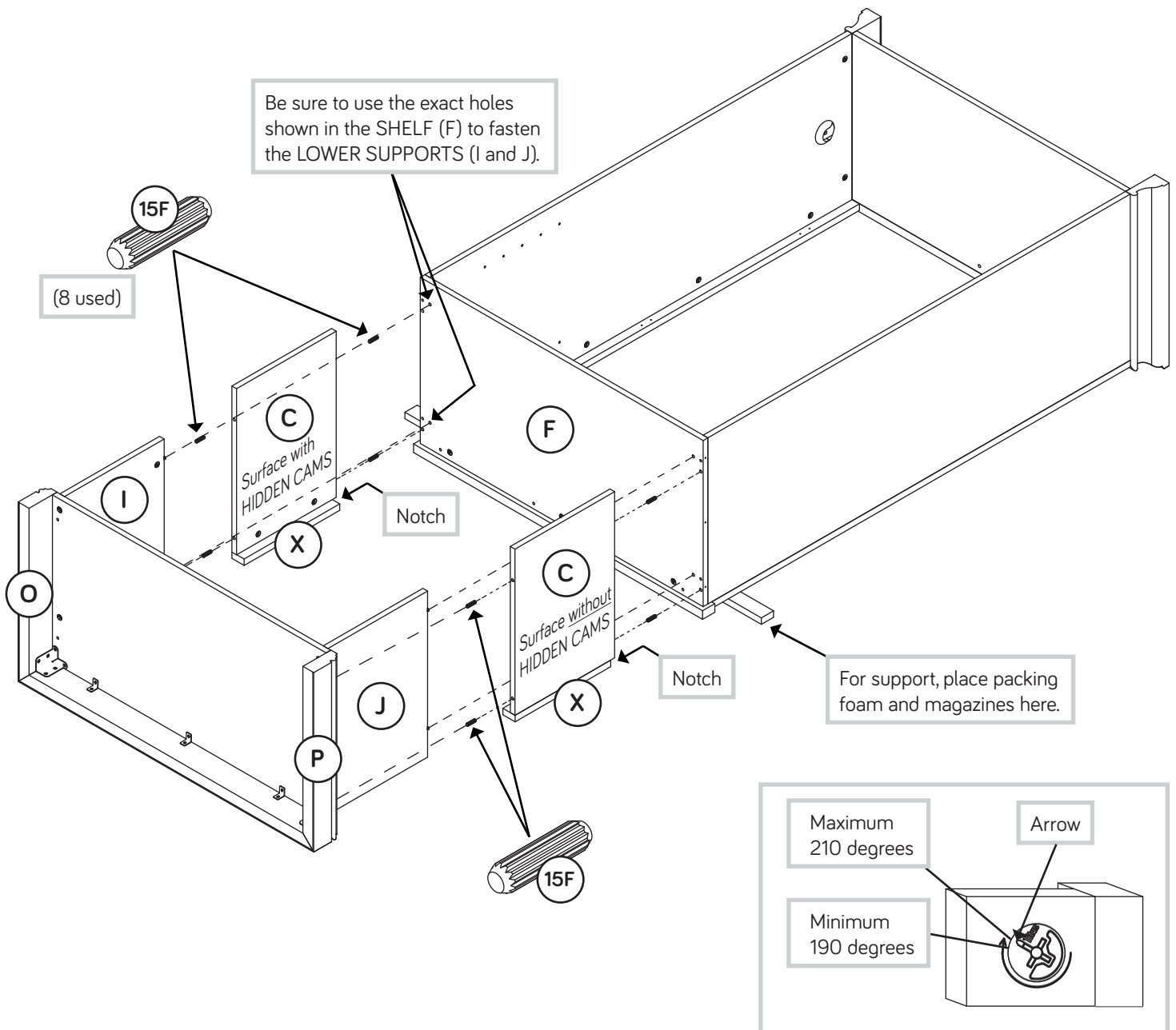
Step 10

Fasten the LOWER END MOLDINGS (X) to the LOWER ENDS (C). Tighten four HIDDEN CAMS.



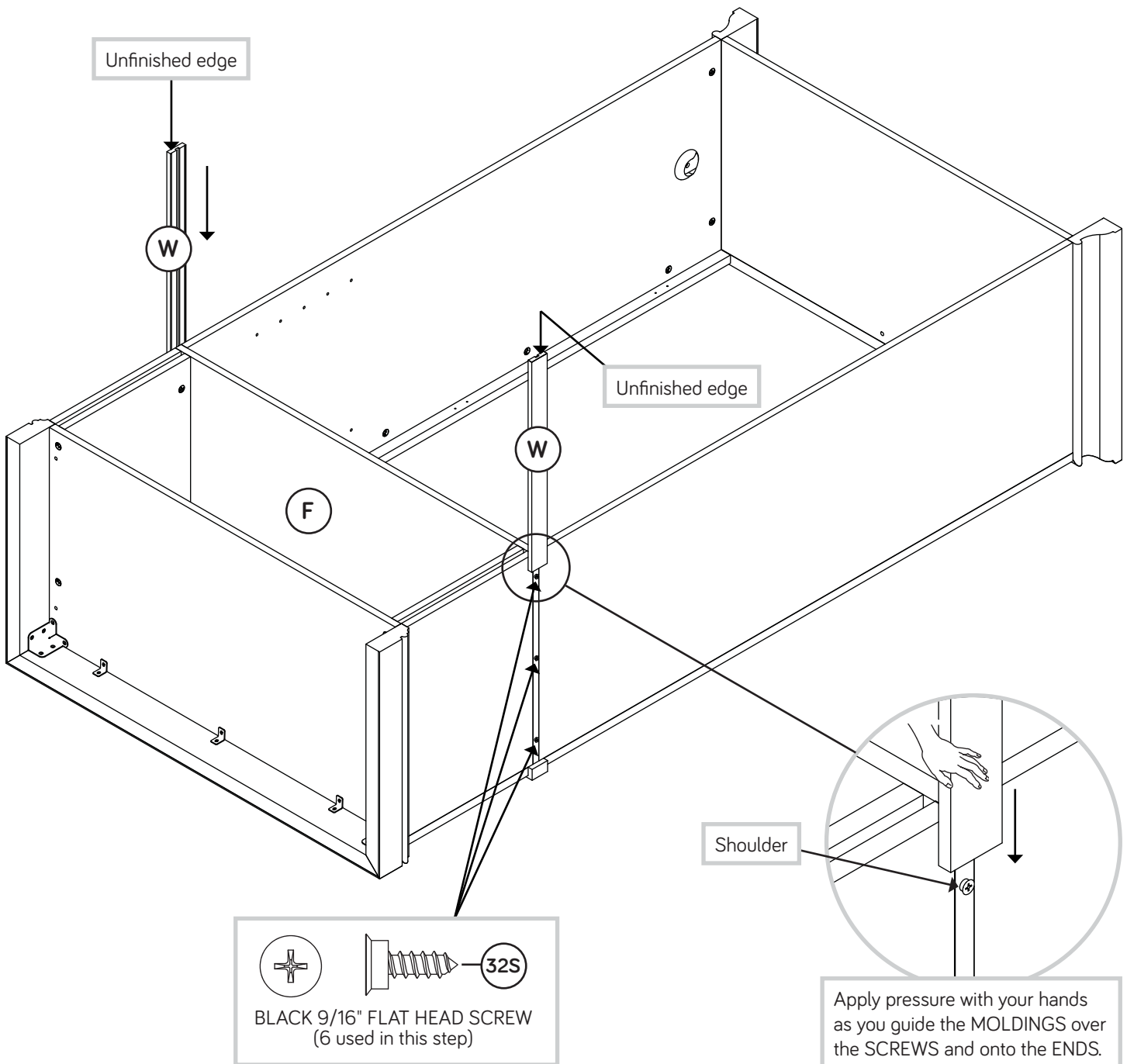
Step 11

- ✦ **NOTE:** You will need someone's help in this step.
- ✦ Carefully turn your upper and lower sections over and place packing foam and magazines under the upper section exactly as shown.
- ✦ Insert eight WOOD DOWELS (15F) into the LOWER ENDS (C).
- ✦ Insert the WOOD DOWELS (15F) in one end of the LOWER ENDS (C) into the holes in the SHELF (F).
- ✦ Push the SIDE BASES (O and P) onto the WOOD DOWELS in the LOWER ENDS (C).
- ✦ Fasten the LOWER SUPPORTS (I and J) to the SHELF (F). Tighten four HIDDEN CAMS.
- ✦ **NOTE:** When fastening the LOWER SUPPORTS (I and J), be sure to use the exact holes shown in the SHELF (F).



Step 12

- Turn six BLACK 9/16" FLAT HEAD SCREWS (32S) into the SHELF (F) until the shoulders of the SCREWS rest on the surfaces of the SHELF.
- Slide the SIDE MOLDINGS (W) onto the SHELF (F). Line up the grooves in the MOLDINGS over the heads of the SCREWS in the SHELF.

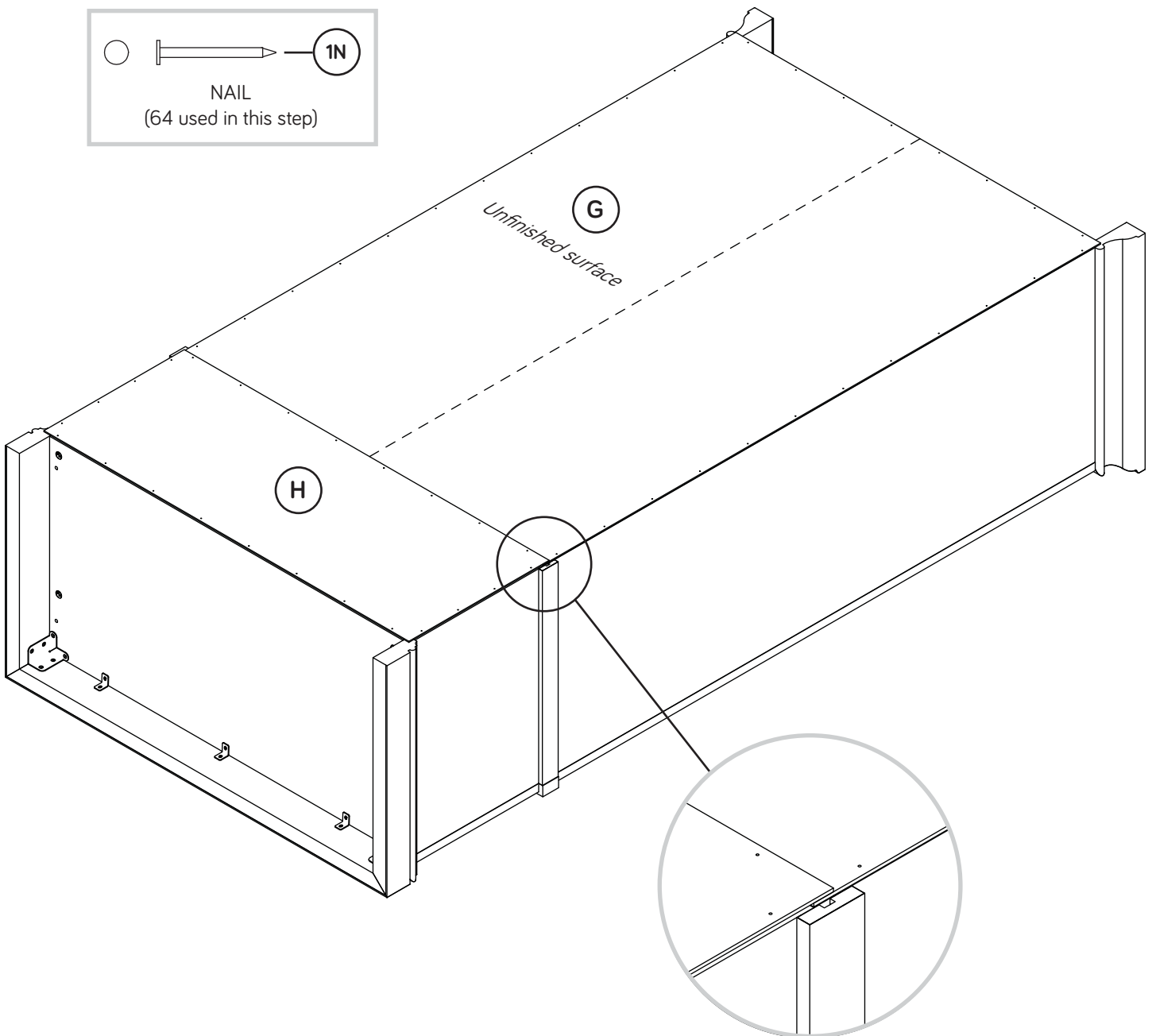
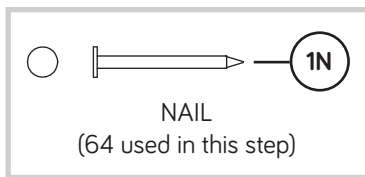


Step 13

- ✚ Unfold the LARGE BACK (G) and lay it over your unit.
- ✚ Make equal margins along all four edges of the LARGE BACK (G). Push on opposite corners of your unit if needed to make it "square".
- ✚ Fasten the LARGE BACK (G) to your unit using the NAILS (1N).
- ✚ Next, fasten the BACK (H) to your unit using the NAILS (1N). The BACK (H) will overlap the LARGE BACK (G).



Do not stand the unit upright without the BACK fastened. The unit may collapse.

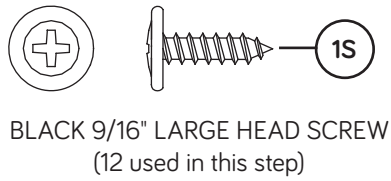


Step 14

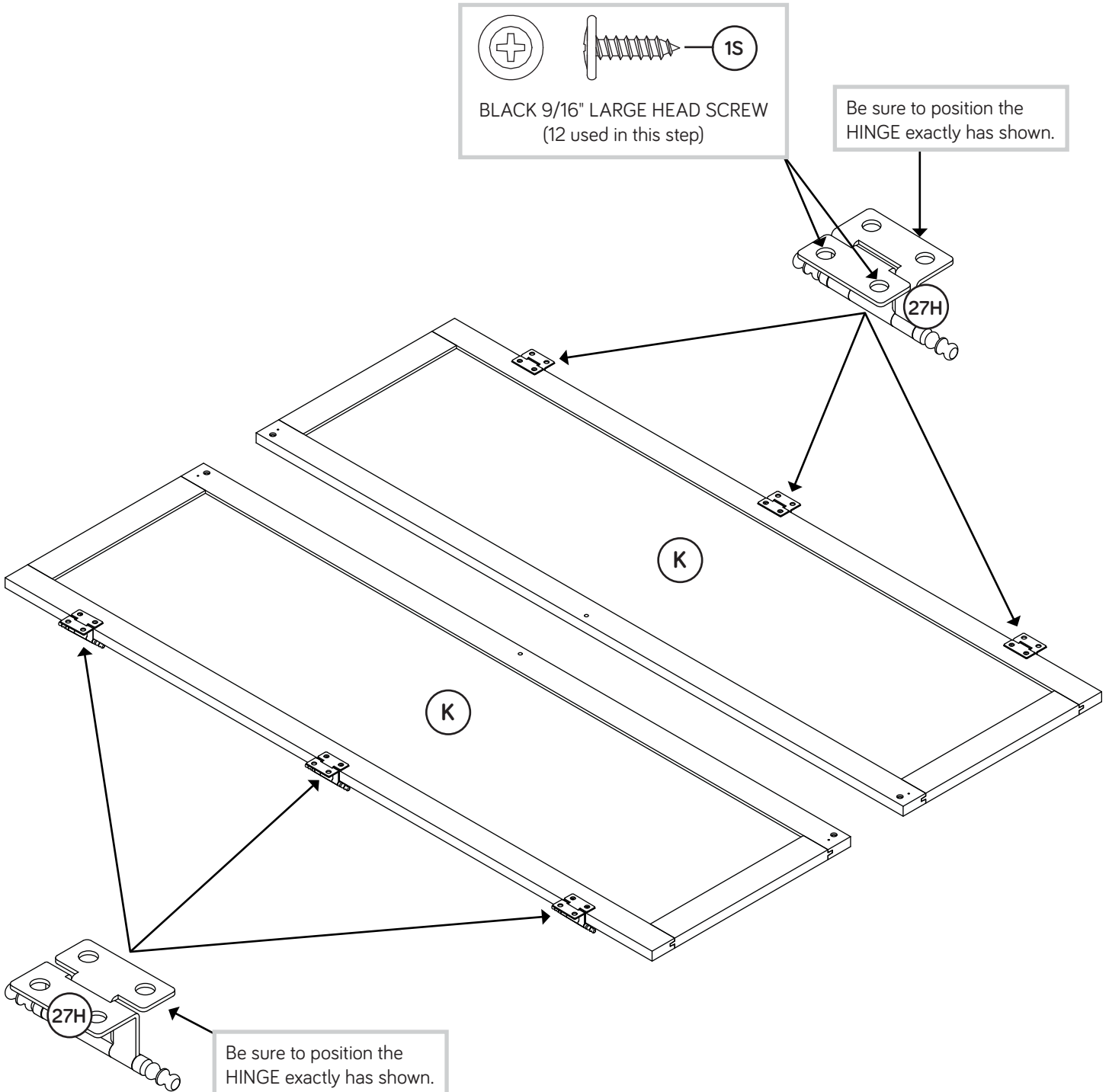
- Fasten the HINGES (27H) to the DOORS (K). Use twelve BLACK 9/16" LARGE HEAD SCREWS (1S).
- NOTE:** The HINGES should be positioned exactly as shown.



Don't worry. It isn't Rome. This can be built in a day.

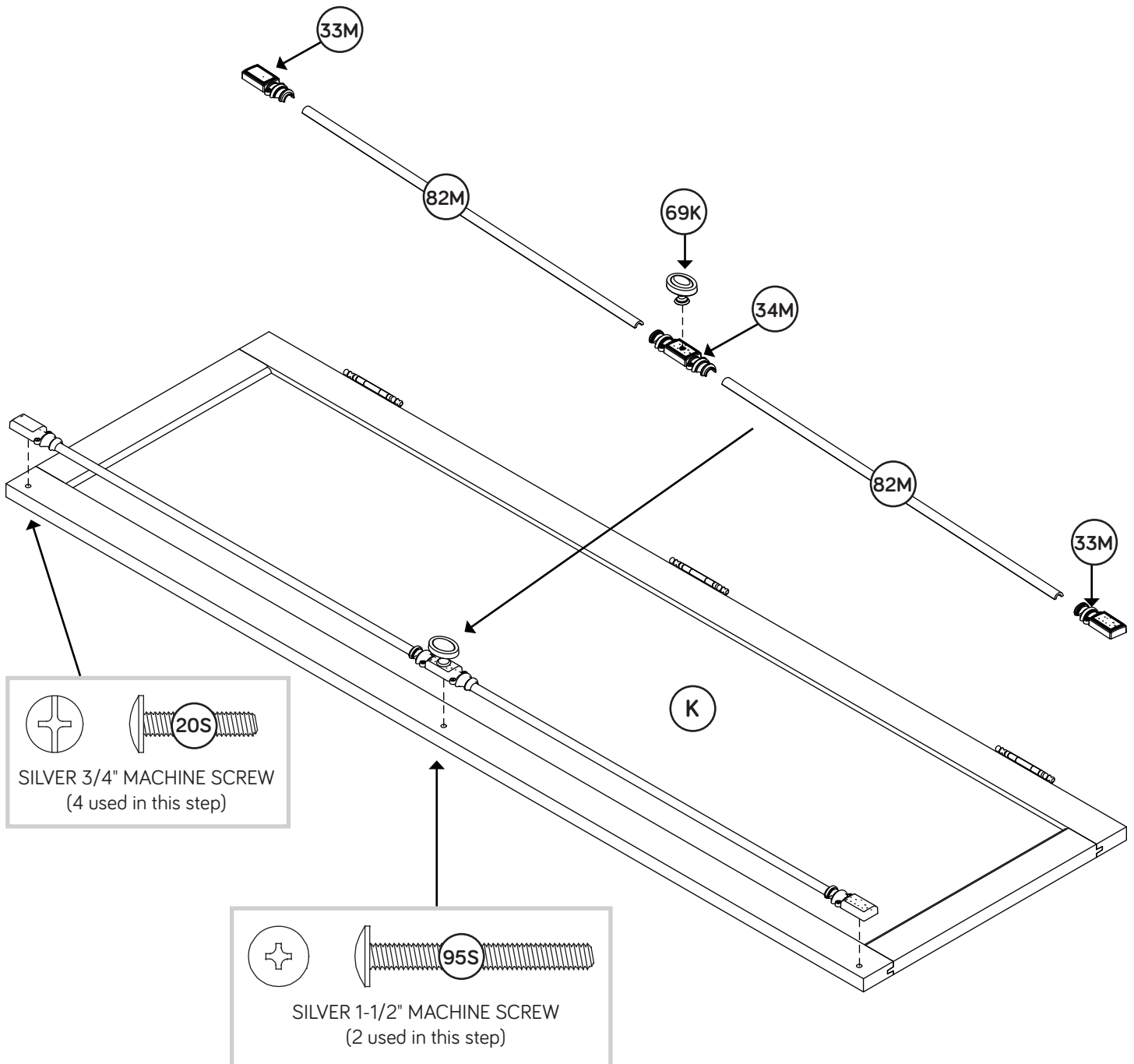


Be sure to position the HINGE exactly as shown.



Step 15

- ✚ Fasten the DECORATIVE ENDS (33M) to a DOOR (K). Use two SILVER 3/4" MACHINE SCREWS (20S).
- ✚ Insert the DECORATIVE POSTS (82M) into the DECORATIVE ENDS.
- ✚ Fasten the DECORATIVE BACKPLATE (34M) and DECORATIVE KNOB (69K) to the DOOR (K). Use a SILVER 1-1/2" MACHINE SCREW (95S).
- ✚ Repeat this step for the other DOOR (K).

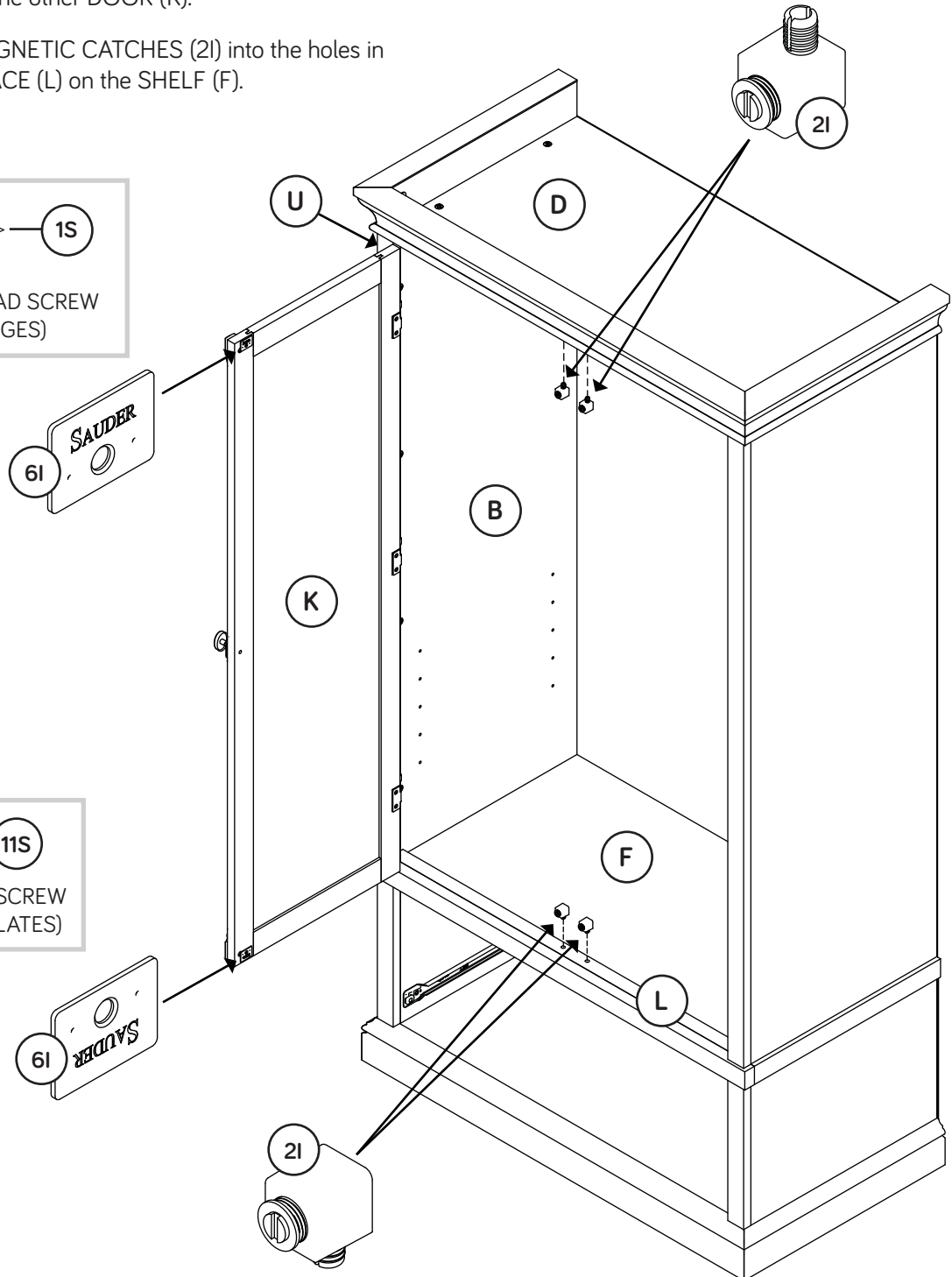
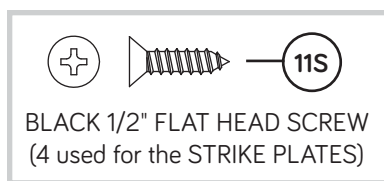
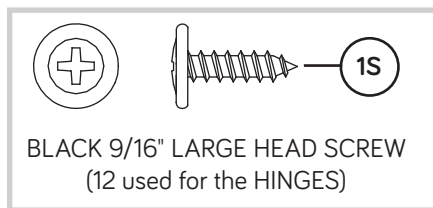


Step 16

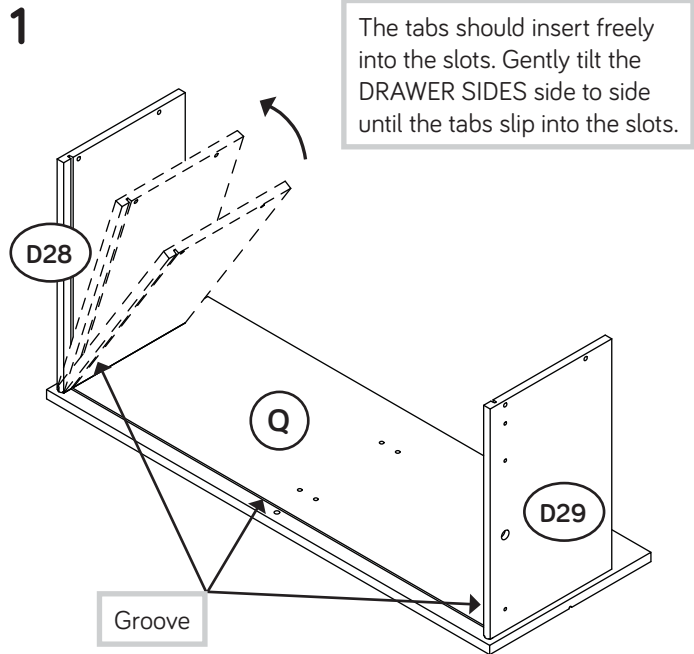
- ✦ Carefully stand your unit upright.
- ✦ Fasten a DOOR (K) to the END MOLDING (U) on the LEFT END (B). Use six BLACK 9/16" LARGE HEAD SCREWS (1S).
- ✦ Fasten two STRIKE PLATES (6I) to the DOOR (K). Use two BLACK 1/2" FLAT HEAD SCREWS (11S).
- ✦ Repeat this step for the other DOOR (K).
- ✦ Then, insert four MAGNETIC CATCHES (2I) into the holes in the TOP (D) and BRACE (L) on the SHELF (F).



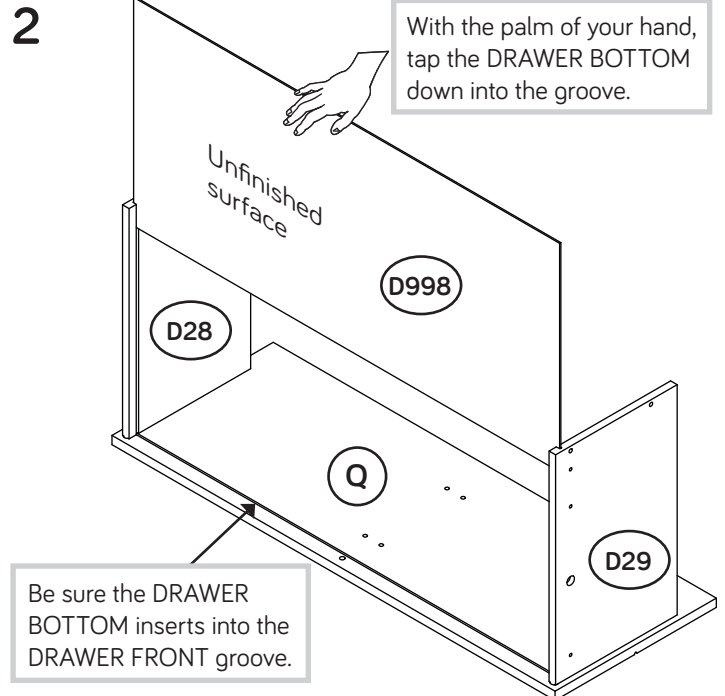
Pro Tip: Lift with your legs. And, you know, your arms.



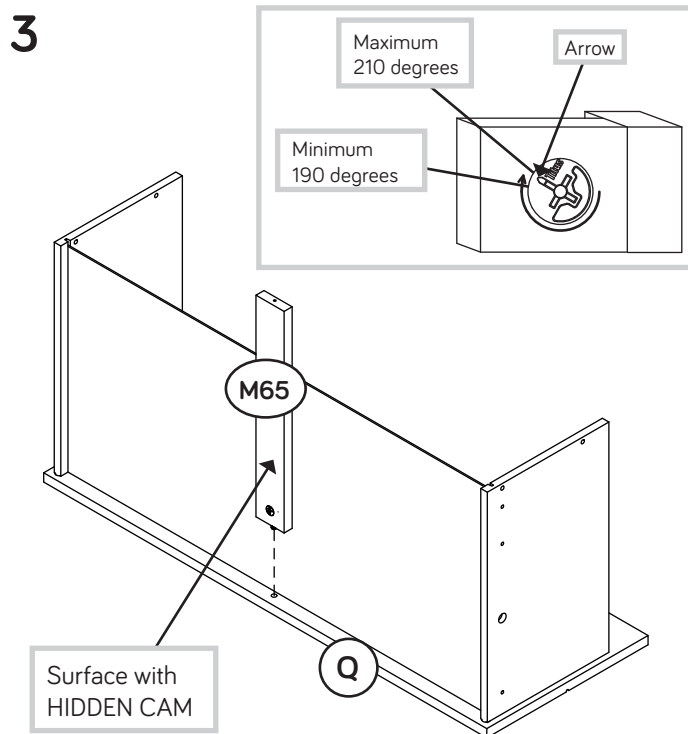
Step 17



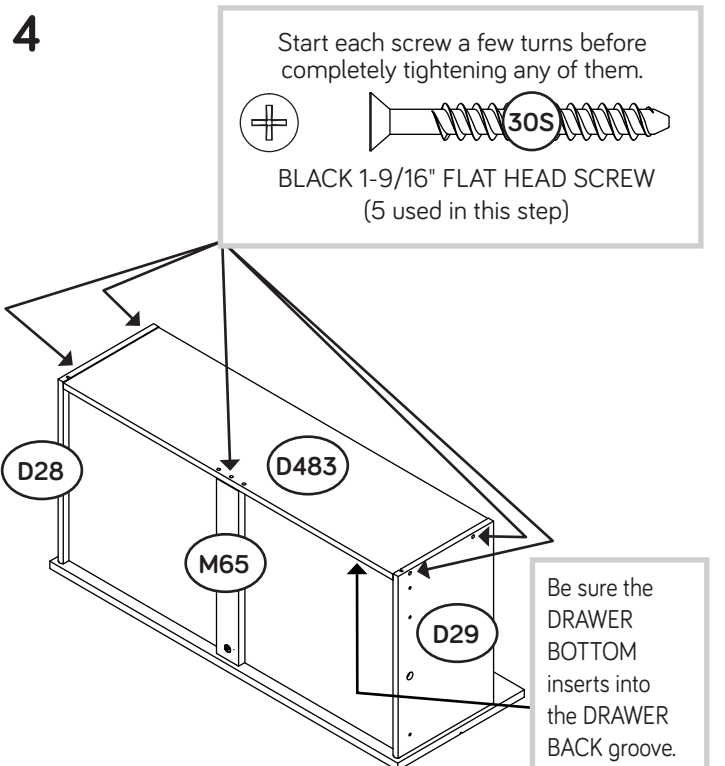
✚ Insert the DRAWER SIDES (D28 and D29) at an angle into the slot at each end of the DRAWER FRONT (Q).



✚ Slide the DRAWER BOTTOM (D998) into the grooves in the DRAWER SIDES (D28 and D29) and DRAWER FRONT (Q).



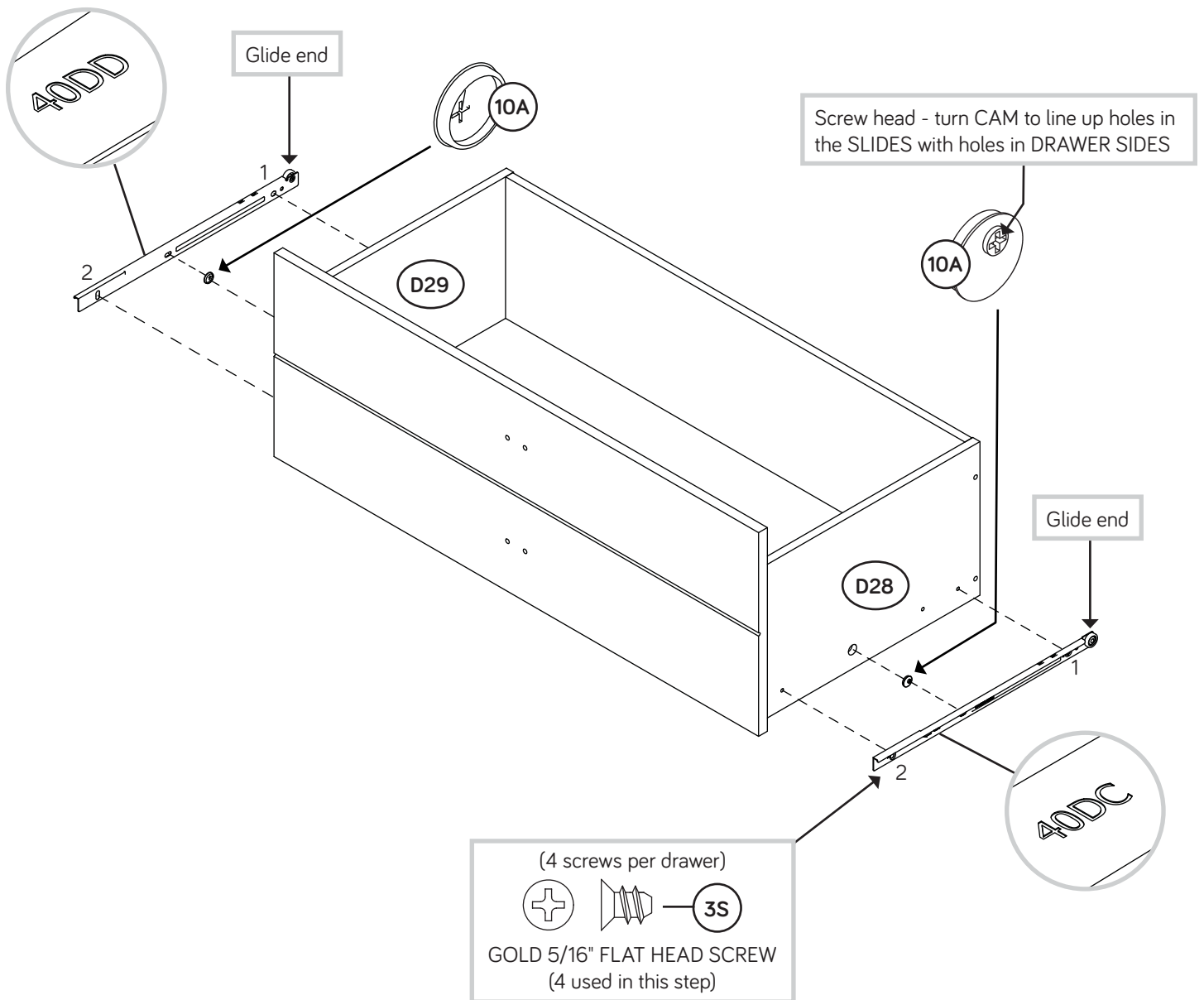
✚ Fasten the DRAWER BRACE (M65) to the DRAWER FRONT (Q). Tighten one HIDDEN CAM.



✚ Fasten the DRAWER BACK (D483) to the DRAWER SIDES (D28 and D29) and DRAWER BRACE (M65). Use five BLACK 1-9/16" FLAT HEAD SCREWS (30S).

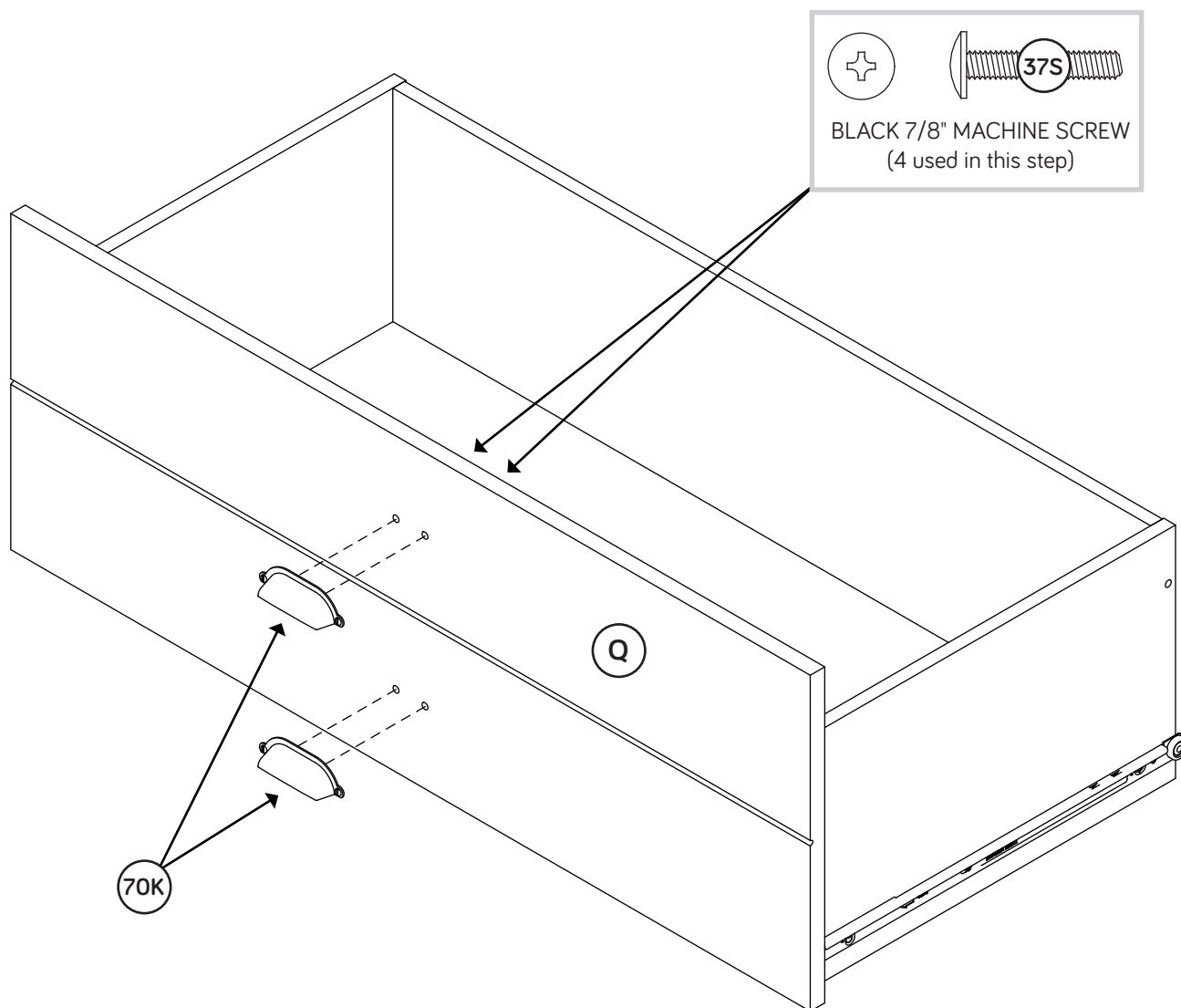
Step 18

- ✚ Insert a SLIDE CAM (10A) into the DRAWER SIDES (D28 and D29).
- ✚ Fasten a DRAWER RIGHT (40DC) to the DRAWER RIGHT SIDE (D28) and a DRAWER LEFT (40DD) to the DRAWER LEFT SIDE (D29). Use four GOLD 5/16" FLAT HEAD SCREWS (3S) through holes #1 and #2.
- ✚ NOTE: The parts are marked "DRAWER RIGHT" and "DRAWER LEFT" for easy identification.
- ✚ NOTE: The glides are not intended to rotate.
- ✚ NOTE: The screw head in the CAM must be visible through the slotted hole in the SLIDE.



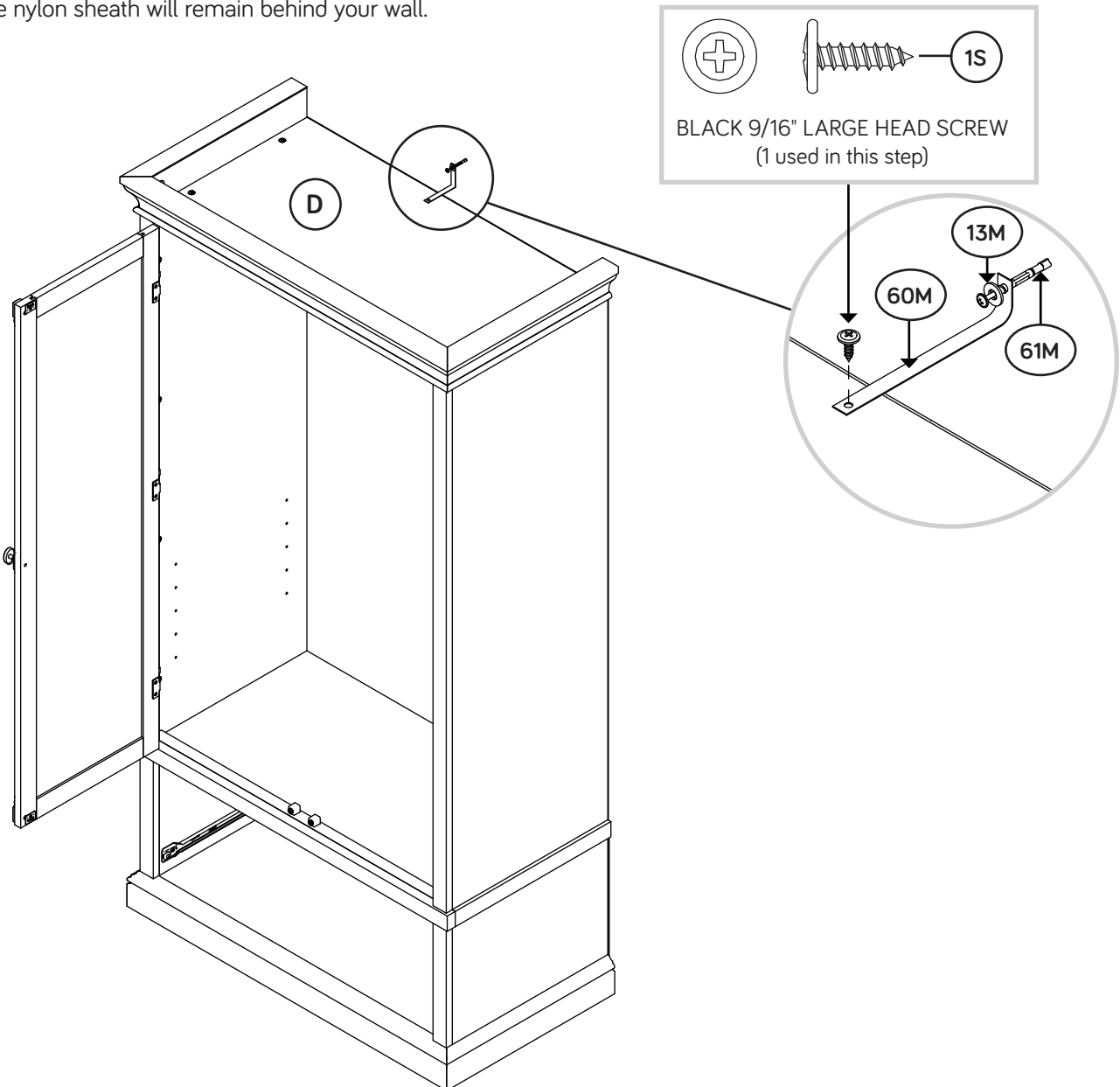
Step 19

- Fasten the PULLS (70K) to the DRAWER FRONT (Q). Use four BLACK 7/8" MACHINE SCREWS (37S).



Step 20

- ✚ Position your unit in its final location. We recommend using the SAFETY STRAP (60M) for added stability.
- ✚ **NOTE:** Do not turn the SAFETY DRYWALL ANCHOR (61M) into a wall stud. If you prefer to fasten the SAFETY STRAP (60M) to a wall stud, go to your local hardware store for proper hardware.
- ✚ **INSTALLATION INSTRUCTIONS:** (Also available at www.yl-anchors.com)
 1. Insert the SAFETY DRYWALL ANCHOR (61M) through the WASHER (13M) and one end of the SAFETY STRAP (60M).
 2. Using a Phillips screwdriver or a hand drill, press the screw slightly onto the drywall.
 3. Apply pressure; turn the screw until a pilot hole is made and the nylon sheath slips through.
 4. Turn the screw until it is flush against the wall and you feel a firm resistance.
 5. Continue to turn until the screw starts spinning freely.
- ✚ Fasten the other end of the SAFETY STRAP (60M) to the TOP (D). Use a BLACK 9/16" LARGE HEAD SCREW (1S) through the SAFETY STRAP and into the TOP.
- ✚ **NOTE:** Before moving your unit to a different location, unscrew the SAFETY DRYWALL ANCHOR (61M) from your wall. The nylon sheath will remain behind your wall.



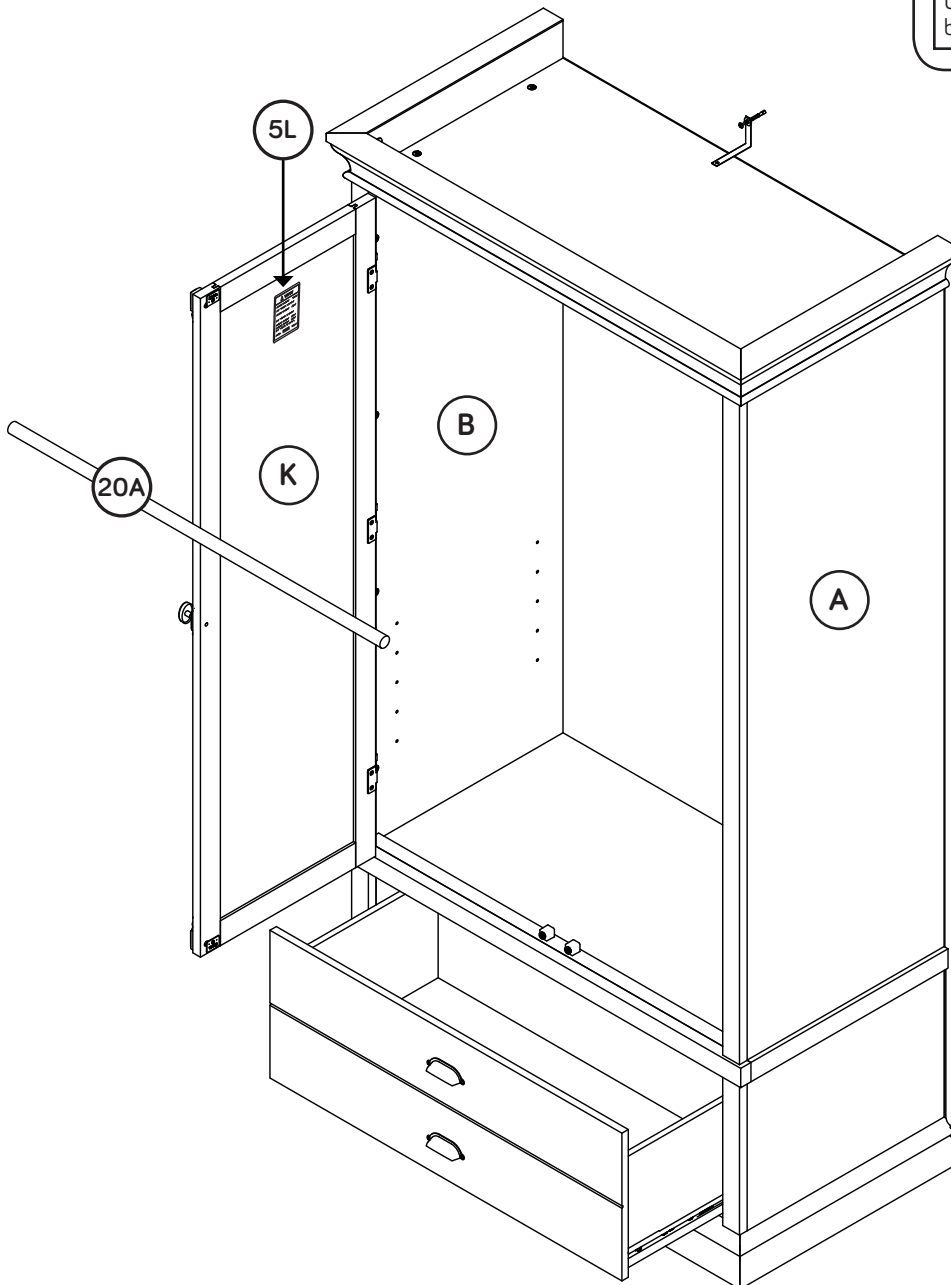
Step 21

- ✚ To insert the drawer into your unit, tip the front of the drawer down and drop the glides on the drawer behind the glides on the unit. Lift the front of the drawer up and slide it into the unit.
- ✚ Place the ROD (20A) onto the ROD HANGERS on the RIGHT END (A) and LEFT END (B).
- ✚ Apply the WARNING LABEL (5L) to the LEFT DOOR (K). You should be able to read the label when the DOOR is open. When the DOOR is closed, it will hide the label. Peel off the backing and apply the label as shown in the diagram.
- ✚ **NOTE:** This is a permanent label intended to last for the life of the product. Once applied, do not try to remove it.

WARNING

Serious or fatal crushing injuries can occur from furniture tip-over. To help prevent tip-over:

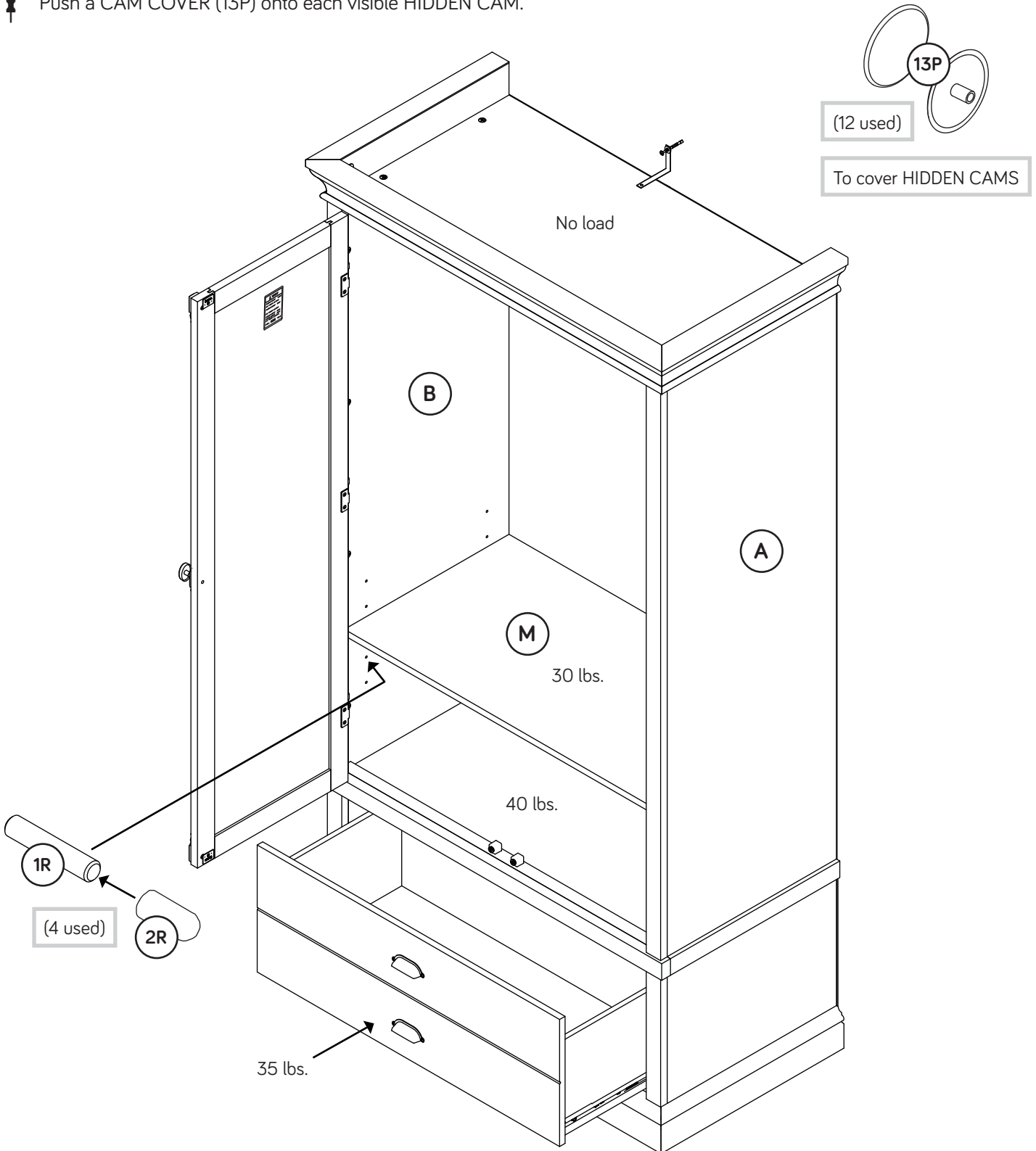
- Place heaviest items in the lowest drawers.
 - Unless specifically designed to accommodate, do not set TVs or other heavy objects on top of this product.
 - Never allow children to climb or hang on drawers, doors, or shelves.
 - Never open more than one drawer at a time.
 - If equipped with a drawer interlock system, do not defeat or remove it.
- Use of tip-over restraints may only reduce, but not eliminate, the risk of tip-over.



Step 22

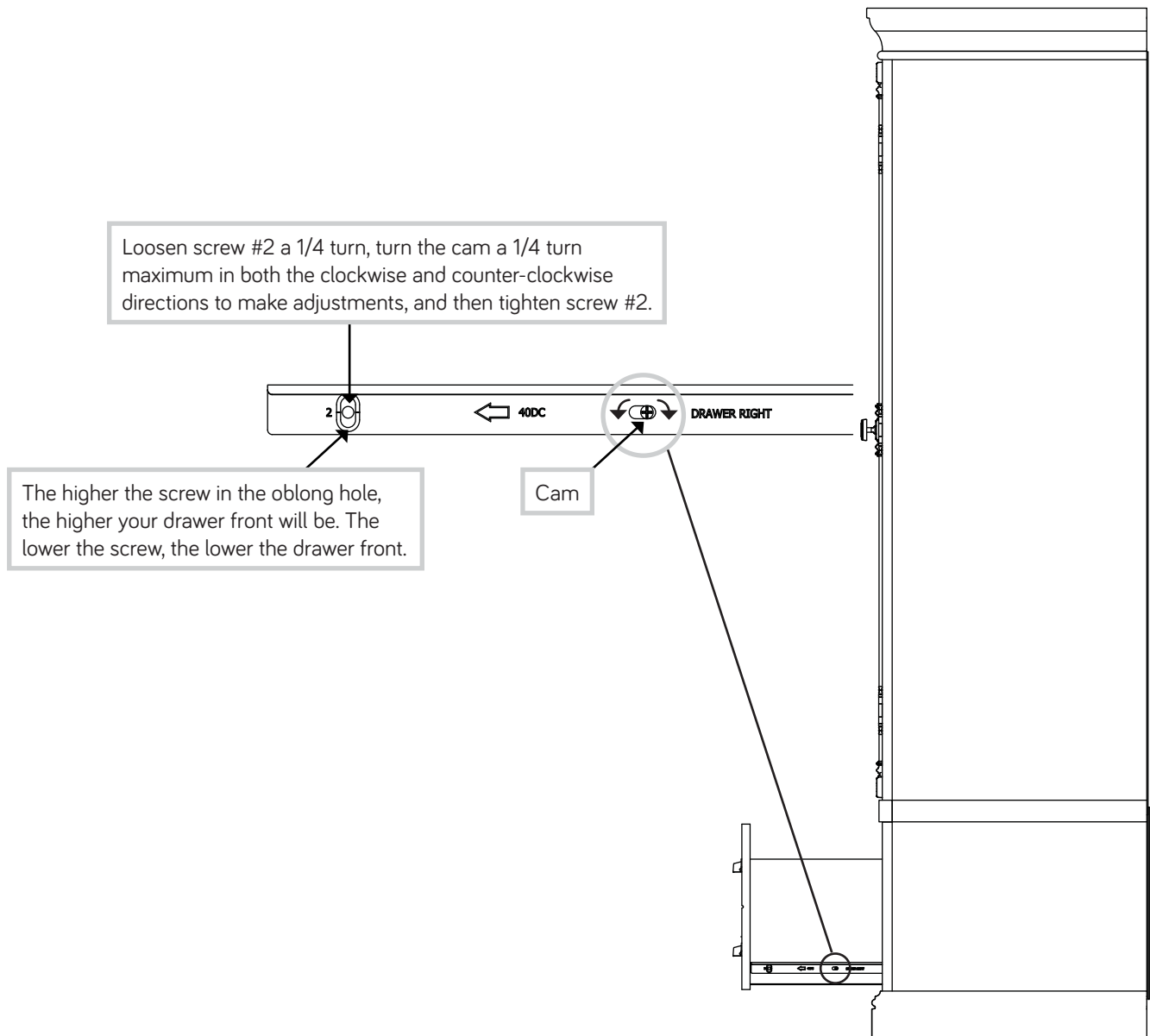
✚ Push the RUBBER SLEEVES (2R) over the METAL PINS (1R). Insert the METAL PINS into the hole locations of your choice in the ENDS (A and B). Set the ADJUSTABLE SHELF (M) onto the METAL PINS.

✚ Push a CAM COVER (13P) onto each visible HIDDEN CAM.



Step 23

- ✚ To make adjustments to the drawers, loosen SCREW #2 in the SLIDES a 1/4 turn, then turn the CAM clockwise or counter-clockwise. Notice how the drawer raises or lowers as you turn the CAM. The higher the screw in the oblong hole, the higher your drawer front will be. The lower the screw, the lower the drawer front. By adjusting the drawers this way, it will help the DRAWER FRONTS line up better when closed. Tighten the SCREW when finished with adjustments.
- ✚ NOTE: Please read the back pages of the instruction booklet for important safety information.
- ✚ This completes assembly. Clean with your favorite furniture polish or a damp cloth. Wipe dry.



⚠ WARNING

Please use your furniture correctly and safely. Improper use can cause safety hazards, or damage to your furniture or household items. **Carefully read the following chart.**

Look out for:	What can happen:	How to avoid the problem:
<ul style="list-style-type: none">Overloaded dresser drawers and shelves.	<ul style="list-style-type: none">Risk of injury.Top-heavy furniture can tip over.Overloaded drawers and shelves can break.	<ul style="list-style-type: none">Never exceed the weight limits shown in the instructions.Work from bottom to top when loading shelves and drawers. Place the heavier items on the lower shelves or in lower drawers.
<ul style="list-style-type: none">Children climbing on furniture.A child may try to reach a toy or other object by climbing on furniture.	<ul style="list-style-type: none">Risk of injury or death.A child climbing on a piece of furniture can make it top-heavy and cause it to tip over.	<ul style="list-style-type: none">Never allow children to climb on or play with furniture. Do not place toys, food, etc. on the top shelves or upper drawers.Use the supplied safety strap for added stability.
<ul style="list-style-type: none">Placing TVs on furniture items that are not designed to support a television is hazardous.	<ul style="list-style-type: none">Risk of injury or death. TVs can be heavy and the location of the picture tube tends to make TVs unbalanced and prone to tipping forward.	<ul style="list-style-type: none">This product is not designed to support a television.
<ul style="list-style-type: none">Improperly moving furniture that is not designed and equipped with casters.	<ul style="list-style-type: none">Furniture can tip over or break if improperly moved.Physical injury. Furniture can be very heavy.	<ul style="list-style-type: none">Unload drawers and shelves from top to bottom before moving the furniture.Do not push furniture, especially on a carpeted floor. Have a friend help you lift the unit and set it in place.This unit must be positioned against a wall.